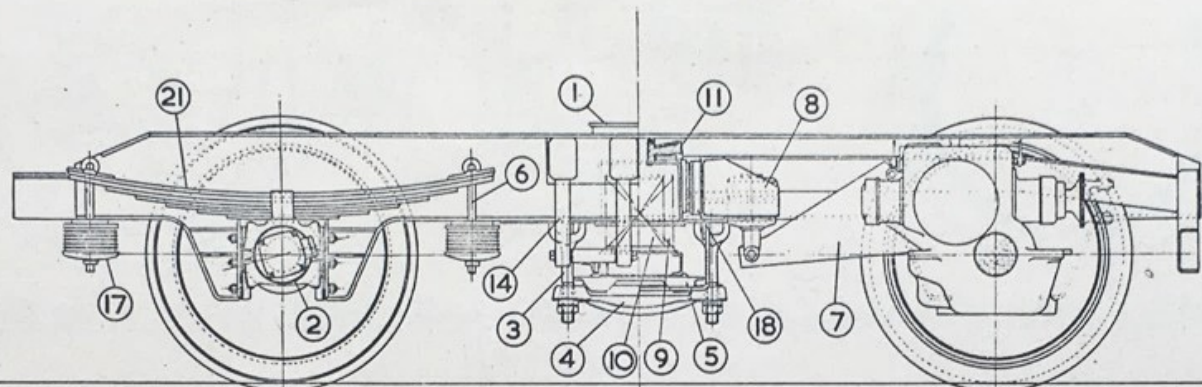


BOGIE  
FOR PARK ROYAL BUILT  
DIESEL RAILCARS

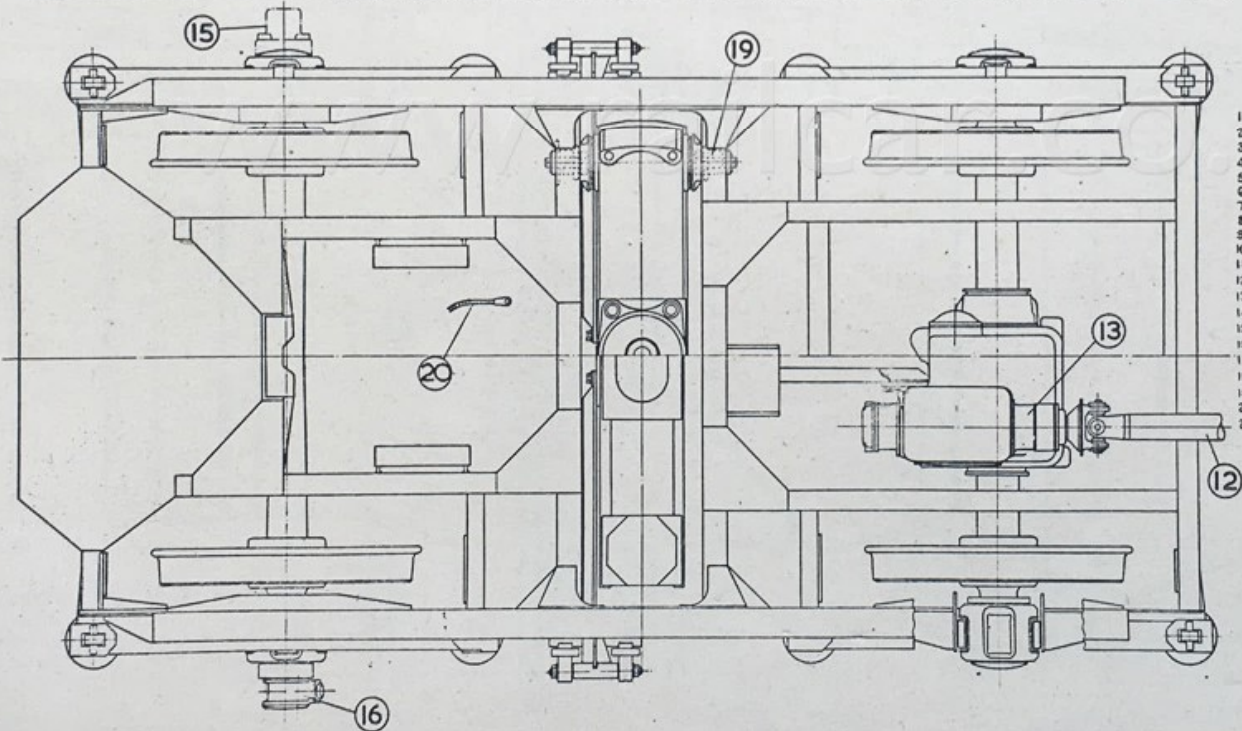




DIAGRAM 1



DRIVING BOGIE, BIRMINGHAM, WICKHAM, CRAVEN, PARK ROYAL, GLOUCESTER & DERBY BUILT DIESELS

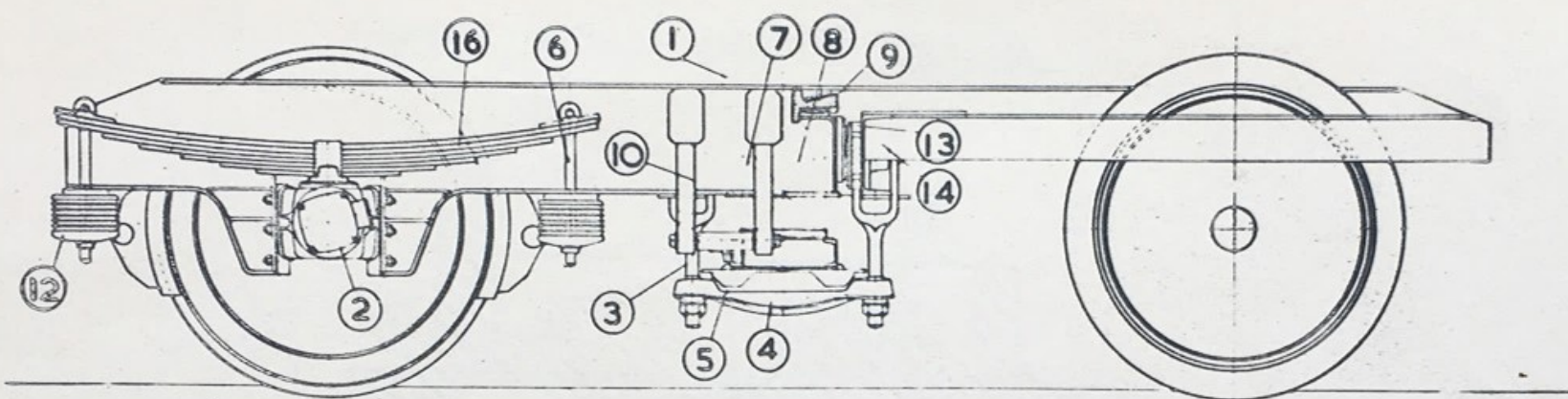


- 1 BLOCK - SIDE FRICTION BOTTOM
- 2 AXLEBOX - ROLLER BEARING
- 3 BOLTS - SWING BEAM SUSPENDING
- 4 BARS - ROCKING
- 5 SADDLE - ROCKING BAR
- 6 BOLTS - BEARING SPRING SUSPENSION
- 7 ARM TORQUE REACTION
- 8 SHOCK ABSORBER
- 9 SPRING - BOLSTER OUTER
- 10 SPRING - BOLSTER INNER
- 11 CASTING - BOTTOM CENTRE
- 12 SHAFT - CARDAN
- 13 GEARBOX - FINAL DRIVE
- 14 SPRINGS CONTROLS BOLSTER
- 15 DISTANCE RECORDER
- 16 GENERATOR FOR SPEEDOMETER
- 17 SPRING - AUXILIARY BEARING
- 18 BLOCK - CROSSBAR RUBBING
- 19 BRACKET - SWING BEAM SUSPENDING BOLTS
- 20 BRAID - BONDING (EARTH)
- 21 SPRINGS - SIDE BEARING LAMINATED

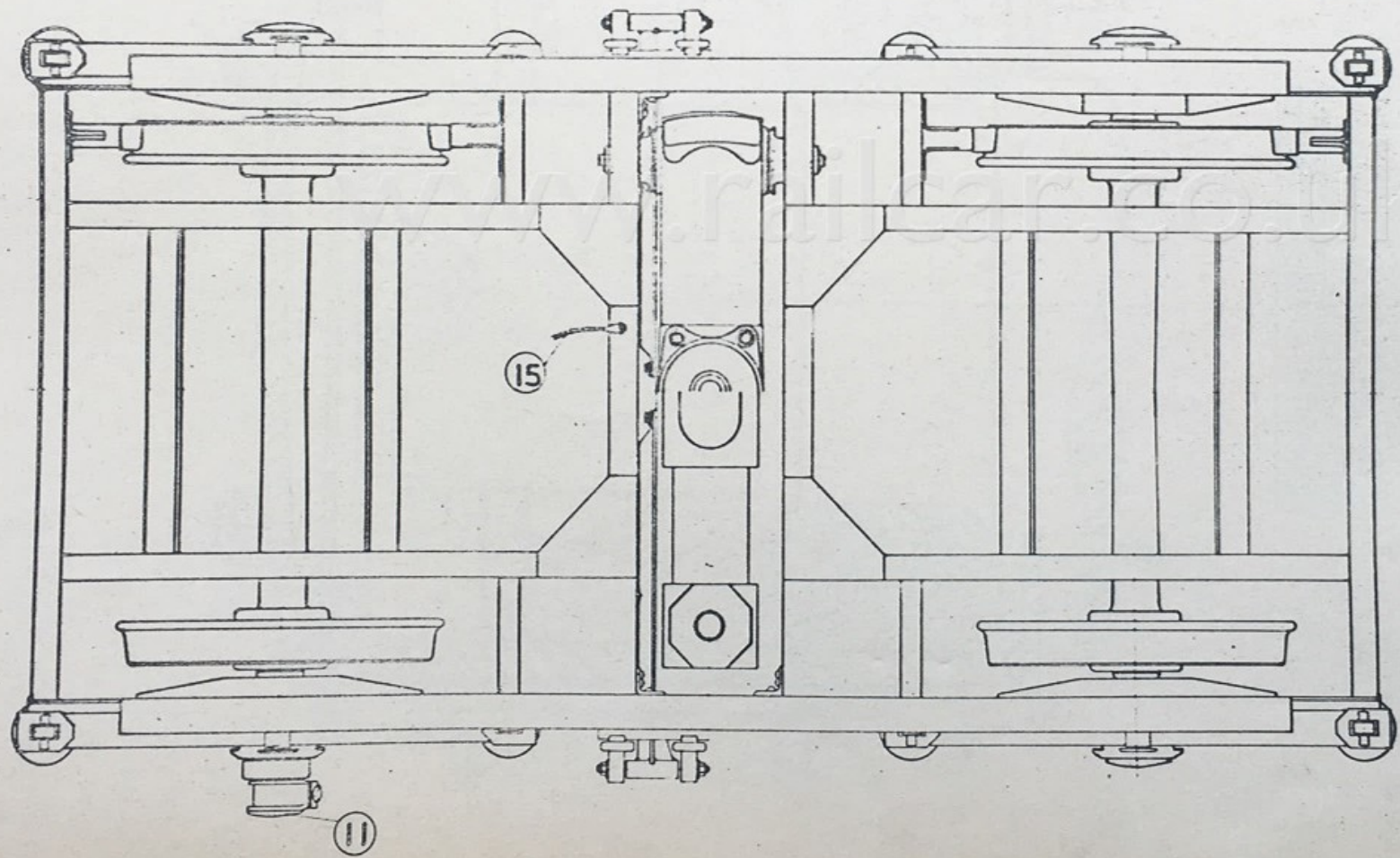
BOLTS  
 BEARING LAMINATED  
 (C) FACE

CARRIAGE & WAGON WORKS





TRAILER BOGIE - BIRMINGHAM CRAVEN, GLOUCESTER, WICKHAM PARK ROYAL & DERBY BUILT CARS

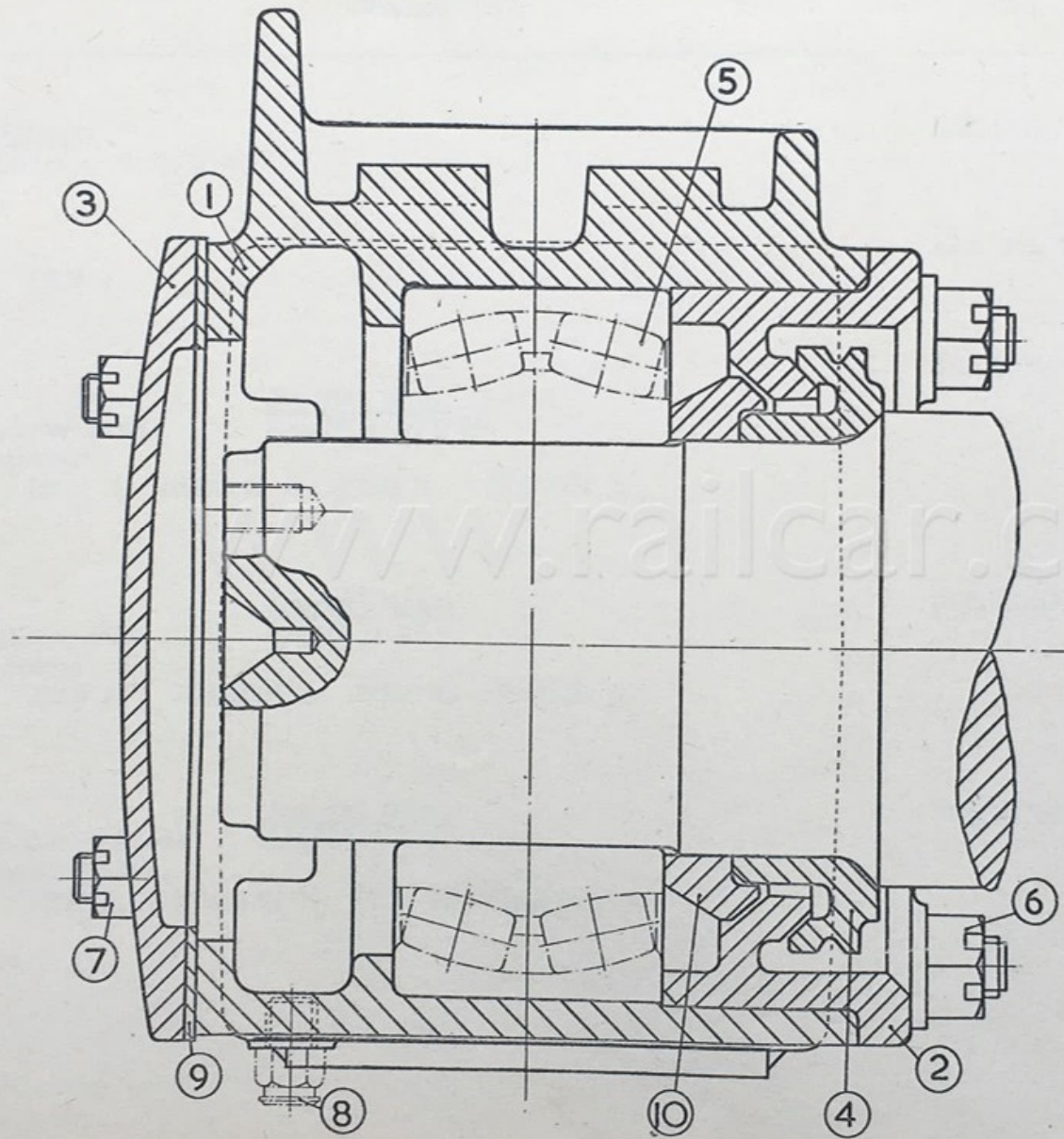


- 1 BLOCKS - SIDE FRICTION BOTTOM
- 2 AXLEBOX - ROLLER BEARING
- 3 BOLTS - SWING BEAM SUSPENDING
- 4 BARS - ROCKING
- 5 SADDLES - ROCKING BAR
- 6 EYE BOLTS - BEARING SPRING SUSPENSION
- 7 SPRINGS - BOLSTER OUTER
- 8 SPRINGS - BOLSTER INNER
- 9 CASTINGS - BOTTOM CENTRE
- 10 CONTROLS BOLSTER
- 11 GENERATOR FOR SPEEDOMETER
- 12 SPRINGS - AUXILIARY BEARING
- 13 BLOCKS - CROSSBAR RUBBING
- 14 BRACKETS - SWING BEAM SUSPENSION BOLTS
- 15 BRADS - BONDING (EARTH)
- 16 SPRINGS - SIDE-BEARING LAMINATED



SKEFKO ROLLER BEARING AXLEBOX.

DIAGRAM 3



REF. No.	DESCRIPTION
①	BODY - AXLEBOX.
②	COVER- REAR.
③	PLATE - INSPECTION.
④	COLLAR -SEALING.
⑤	BEARING
⑥	STUDS-REAR COVER.
⑦	STUDS-INSPECTION PLATE.
⑧	NIPPLE - GREASE.
⑨	RING -JOINT
⑩	RING -SEALING.

CARRIAGE & WAGON DRAWING OFFICE.  
DERBY



DESCRIPTION.	DRG. NO.	LOT NOS.
<u>ADAPTORS.</u>		
<u>Distance Counter.</u>	SKF.407379	30286
See Catalogue No. 9/14/25081.		30287
<u>ARMS.</u>		
<u>Torque.</u>	AEC. Pt. No. F.1769	30286
DIAGRAM 1. ITEM 7.		
<u>AXLEBOXES.</u>		
<u>Type.</u>	SKF.407400	30286
Skefco complete with		30287
Roller Bearings.		
DIAGRAM 1. ITEM 2. DIAGRAM 2. ITEM 2. DIAGRAM 3.		
<u>AXLEBOXES.</u>		
<u>Type.</u>	SKF.407411	30286
Skefco complete with		30287
Roller Bearings.		
DIAGRAM 1. ITEM 2. DIAGRAM 2. ITEM 2. DIAGRAM 3.		
<u>AXLEBOXES.</u>		
<u>Type.</u>	SKF.407411	30286
Skefco with Cover Plate		30287
for Speedometer Drive.		
DIAGRAM 1. ITEM 2. DIAGRAM 2. ITEM 2. DIAGRAM 3.		







DESCRIPTION.	DRG. NO.	LOT NOS.
<u>BEARINGS.</u> <u>Axlebox.</u> DIAGRAM 3. ITEM 5.	SKF. 407392	30286 30287
<u>BEARINGS.</u> <u>Ball. Final Drive.</u>	A.E.C. Pt. No. 6-124 6-113	30286
<u>BEARINGS.</u> <u>Roller. Extra Light. with Lip. Final Drive.</u> See Catalogue No. 9/43/30999.	A.E.C. Pt. No. 15-102 15-94	30286
<u>BEARINGS.</u> <u>Roller. Final Drive.</u> See Catalogue No. 9/43/30730.	A.E.C. Pt. No. 15-101 15-60	30286
<u>BEDS.</u> <u>Bolster Spring Control.</u> See Catalogue No. 9/14/25661.	DE. 34676/1	30286 30287
<u>BLOCKS.</u> <u>Crossbar Rubbing.</u> See Catalogue No. 9/14/25831. DIAGRAM 1. ITEM 18. DIAGRAM 2. ITEM 13.	DE. 56149/2	30286 30287

DESCRIPTION.	DRG. NO.	LOT NOS.
<u>BLOCKS.</u>		
<u>Crossbar Rubbing.</u>	DE. 56149/3	30286
See Catalogue No. 9/14/25832.		30287
DIAGRAM 1. ITEM 18. DIAGRAM 2. ITEM 13.		
<u>BLOCKS.</u>		
<u>Side Friction, Bottom.</u>	DE. 56069	30286
See Catalogue No. 9/14/25921.		30287
DIAGRAM 1. ITEM 1. DIAGRAM 2. ITEM 1.		
<u>BODIES.</u>		
<u>Axlebox.</u>	SKF. 407400	30286
DIAGRAM 3. ITEM 1.		30287
<u>BOGIES.</u>		
<u>Driving Complete.</u>	DE. 34985	30286
<u>BOGIES.</u>		
<u>Trailing. Ordinary Complete.</u>	DE. 35060	30286
		30287
<u>BOGIES.</u>		
<u>Trailing with Dynamo Pulley Complete.</u>	DE. 35060	30286
		30287
<u>BOLTS.</u>		
<u>Axle. Final Drive.</u>	A.E.C. Pt. No.	30286
See Catalogue No. 9/14/26081.	216/30775	



DESCRIPTION.	DRG. NO.	LOT NOS.
<u>BOLTS.</u>		
<u>Axle Gland Housing. Final Drive.</u> See Catalogue No. 9/14/26093.	A.E.C. Pt. No. Z16/30774	30286
<u>BOLTS.</u>		
<u>Housing Gland. Final Drive.</u> See Catalogue No. 9/14/26106.	A.E.C. Pt. No. Z9/30754.	30286
<u>BOLTS.</u>		
<u>Swing Beam Suspension.</u> See Catalogue No. 9/14/26121. DIAGRAM 1. ITEM 3. DIAGRAM 2. ITEM 3.	DE. 63740/1	30286 30287
<u>BOLTS.</u>		
<u>Torque Arm.</u> See Catalogue No. 9/14/26141.	A.E.C. Pt. No. Z17/30786	30286
<u>BRACKETS</u>		
<u>Torque Arm.</u> 11. 1/8" x 10" x 9" x 1/2" thick. STEEL.	DE. 45719/1	30286 30287
<u>CASTINGS.</u>		
<u>Centre Bottom.</u> See Catalogue No. 9/18/23495. DIAGRAM 2. ITEM 9. DIAGRAM 1. ITEM 11.	D14/3459/2	30286 30287



DESCRIPTION.	DRG. NO.	LOT NOS.
<u>CLAMPS.</u>		
<u>Axle Shaft Bearing. Final Drive.</u> See Catalogue No. 9/14/26961.	A.E.C. Pt. No. F. 31613.	30286
<u>COLLARS.</u>		
<u>Sealing. Axlebox.</u> 117.48 m/m i/dia x 171 m/m o/dia x 34.5 m/m thick. STEEL. DIAGRAM 3. ITEM 4.	SKF. 407403.	30286 30287
<u>CONTROLS.</u>		
<u>Bolster.</u> Complete. DIAGRAM 1. ITEM 14. DIAGRAM 2. ITEM 10.	DE. 34676.	30286 30287
<u>COUNTERS.</u>		
<u>Distance.</u> DIAGRAM 1. ITEM 15.	Smith-Stone LG 1357/4	30286
<u>COVERS.</u>		
<u>Rear. Axlebox.</u> 139 m/m i/dia x 220 m/m o/dia x 59 m/m thick. STEEL. DIAGRAM 3. ITEM 2.	SKF. 407402.	30286 30287
<u>EYEBOLTS.</u>		
<u>Side Bearing Spring.</u> See Catalogue No. 9/14/27501. DIAGRAM 1. ITEM 6. DIAGRAM 2. ITEM 6.	DE. 34652/1	30286 30287



DESCRIPTION.	DRG. NO.	LOT NOS.
<u>GEARS.</u>		
<u>Axle. Final Drive.</u> See Catalogue No. 9/14/27801.	A.E.C. Pt. No. F. 23711.	30286
<u>HANGERS.</u>		
<u>Swing Beam Safety.</u> See Catalogue No. 9/14/28101.	IE. 56100/2	30286 30287
<u>HOUSINGS.</u>		
<u>Bearing. Final Drive.</u> See Catalogue No. 9/14/28201.	A.E.C. Pt. No. F. 16553	30286
<u>HOUSINGS.</u>		
<u>Bearing. Final Drive.</u> See Catalogue No. 9/14/28206.	A.E.C. Pt. No. F. 16561.	30286
<u>HOUSINGS.</u>		
<u>Oil Seal Final Drive.</u>	A.E.C. Pt. No. F. 16837	30286
<u>JOINTS.</u>		
<u>Gland. Final Drive.</u> See Catalogue No. 9/14/28461.	A.E.C. Pt. No. Z44238	30286
<u>LINERS.</u>		
<u>Axlebox.</u> 9.25" x 4.84" x 1.375" x 0.25" thick. STEEL.	SKF. 40705	30286 30287



DESCRIPTION.	DRG. NO.	LOT NOS.
<u>LINKS.</u>		
<u>Torque Arm.</u> 9/14/ See Catalogue No. 29091.	A.E.C. Pt. No. Y. 33493.	30286
<u>NIPPLES.</u>		
<u>Grease. Axlebox.</u> See Catalogue No. 9/14/29301. DIAGRAM 3. ITEM 8.	'Tecalemit' ND. 6160.	30286 30287
<u>NUTS.</u>		
<u>Axle Bolt. Final Drive.</u> Standard 7/16" B.S.F.	A.E.C. Pt. No. 86-35	30286
<u>NUTS.</u>		
<u>Bearing Spring Eyebolt.</u> See Catalogue No. 9/18/28000.	SC/SW/12/8	30286 30287
<u>NUTS.</u>		
<u>Link. Torque Arm. Final Drive.</u> 1" BSF Standard.	A.E.C. Pt. No. 86-42	30286
<u>NUTS.</u>		
<u>Swing Beam Suspension.</u> See Catalogue No. 9/14/29591.	DE. 5701/7	30286 30287



DESCRIPTION.	DRG. NO.	LOT NOS.
<u>PACKING.</u>		
<u>Centre Casting Bottom.</u> See Catalogue No. 9/11/29951.	DE. 63722.	30286 30287
<u>PADS.</u>		
<u>Bearing Spring.</u> See Catalogue No. 9/18/29151.	SC/SW/12/2	30286 30287
<u>PADS.</u>		
<u>Bottom, Side Friction Block.</u> See Catalogue No. 9/11/30161.	DE. 56069	30286 30287
<u>PIECES.</u>		
<u>Distance, Torque Arm.</u> See Catalogue No. 9/11/30191.	A.E.C. Pt. No. Z7/44861.	30286
<u>PINS.</u>		
<u>Cotter Split, Final Drive.</u> 3/32" dia x 1.1/4" long.	A.E.C. Pt. No. 100-9	30286
<u>PINS.</u>		
<u>Cotter Split.</u> 3/16" dia x 2.1/4" long.	A.E.C. Pt. No. 100-25	30286



DESCRIPTION.	DRG. NO.	LOT NOS.
<u>PINS.</u>		
<u>Bearing Spring Eyebolt.</u> See Catalogue No. 9/18/29300.	SC/SW/12/3	30286 30287
<u>PINS.</u>		
<u>Bogie Centre of King.</u> 1'2.7/8" under head to centre of pin hole x 2.3/4" dia. Cheese Head. STEEL.	D17/761	30286 30287
<u>PINS.</u>		
<u>Swing Beam Suspension.</u> 5.15/32" under head to centre of pin hole x 1.1/2" dia. 2" dia x 1/2" head. STEEL.	D17/2039	30286 30287
<u>PINS.</u>		
<u>Torque Arm.</u> See Catalogue No. 9/14/30281.	A.E.C. Pt. No. Z1/47092 Z1/47035	30286
<u>PLATES.</u>		
<u>Bolster Side Wearing.</u> See Catalogue No. 9/14/30431.	DE. 56149/1	30286 30287
<u>PLATES.</u>		
<u>Dividing. Auxiliary Side Bearing Spring.</u> See Catalogue No. 9/14/30591	DE. 16/2131.	30286 30287



DESCRIPTION.	DRG. NO.	LOT NOS.
<u>PLATES.</u>		
<u>Inspection. Axlebox.</u> 8" $\phi$ /dia x 11/16" over convexed surfaces. STEEL. DIAGRAM 3. ITEM 3.	SKF. 407401	30286 30287
<u>PLATES. &amp; SHIELDS.</u>		
<u>Reaction Spring. Torque Arm.</u> See Catalogue No. 9/14/31000.	A.E.C. Pt. No. Y. 9707	30286
<u>PLATES.</u>		
<u>Reaction Spring. Torque Arm.</u> See Catalogue No. 9/14/30749	A.E.C. Pt. No. Y. 33490	30286
<u>PLATES.</u>		
<u>Spring Bolster Control.</u> See Catalogue No. 9/14/30791	DE. 34676/2	30286 30287
<u>RETAINERS.</u>		
<u>Bearing Housing. Final Drive.</u> See Catalogue No. 9/14/31201.	A.E.C. Pt. No. F. 30709	30286
<u>RINGS.</u>		
<u>Gland. Final Drive.</u> See Catalogue No. 9/14/31253.	A.E.C. Pt. No. F. 16836	30286



DESCRIPTION.	DRG. NO.	LOT NOS.
<u>RINGS.</u>		
<u>Joint, Axlebox.</u> 8" o/dia x 5.3/4" i/dia x 3/32" thick. LANGITE. DIAGRAM 3. ITEM 9.	SKF. 407410	30286 30287
<u>RINGS.</u>		
<u>Joint, Axlebox, Adaptor.</u> 6" i/dia x 8" o/dia x 3/32" thick. LANGITE. DIAGRAM 3	SKF. 407646	30286 30287
<u>RINGS.</u>		
<u>Sealing, Axlebox.</u> 117.6 m/m i/dia x 151 m/m o/dia x 20.27 m/m thick. DIAGRAM 3. ITEM 10. CAST IRON.	SKF. 407404	30286 30287
<u>SADDLES.</u>		
<u>Rocking Bar.</u> See Catalogue No. 9/14/31651. DIAGRAM 1 ITEM 5. DIAGRAM 2. ITEM 5.	D14/2719/5	30286 30287
<u>SEALS.</u>		
<u>Oil, Final Drive.</u> See Catalogue No. 9/14/31662.	A.E.C. Pt. No. 5091-115.	30286
<u>SHIELDS.</u>		
<u>Oil, Reaction Spring, Torque Arm.</u> See Catalogue No. 9/14/31691	A.E.C. Pt. No. Y33492.	30286



DESCRIPTION.	DRG. NO.	LOT NOS.
<u>SHIELDS.</u> Plate, Torque Arm. See Catalogue No. 9/14/31711.	A.E.C. Pt. No. Y. 33489	30286
<u>SPRINGS.</u> Auxiliary Bearing See Catalogue No. 9/14/31751. DIAGRAM 1. ITEM 17. DIAGRAM 2. ITEM 12.	D16/2130.	30286 30287
<u>SPRINGS.</u> Bolster, Inner. See Catalogue No. 9/14/31872. DIAGRAM 1. ITEM 10.	D17/1415	30286
<u>SPRINGS.</u> Bolster, Outer. See Catalogue No. 9/14/31873. DIAGRAM 1. ITEM 9.	D17/1415.	30286
<u>SPRINGS.</u> Bolster, Outer. See Catalogue No. 9/14/31831. DIAGRAM 2. ITEM 7.	DE. 5803.	30287
<u>SPRINGS.</u> Bolster, Inner. See Catalogue No. 9/14/31834 DIAGRAM 2. ITEM 8.	DE. 5803.	30287



DESCRIPTION.	DRG. NO.	LOT NOS.
<u>SPRINGS.</u>		
<u>Bolster Control.</u> See Catalogue No. 9/14/31961.	DE. 34676/3	30286 30287
<u>SPRINGS.</u>		
<u>Reaction, Torque Arm.</u> See Catalogue No. 9/14/32011.	A.E.C. Pt. No. F. 30910	30286
<u>SPRINGS.</u>		
<u>Side Bearing.</u> See Catalogue No. 9/14/32061. DIAGRAM 2. ITEM 16.	DE. 56077	30287
<u>SPRINGS.</u>		
<u>Side Bearing.</u> See Catalogue No. 9/14/32076. DIAGRAM 1. ITEM 21.	DE. 56476	30286
<u>STUDS.</u>		
<u>Swing Beam Connecting Arm.</u> See Catalogue No. 9/14/32281.	DE. 34676/5	30286 30287
<u>WASHERS.</u>		
<u>Torque Arm. Final Drive.</u> 1" i/dia x 1.7/8" o/dia x 5/32" chamfered at 30° STEEL.	A.E.C. Pt. No. 134-11	30286