

**WATER COOLING**  
railcar.co.uk

**WATER  
COOLING**

# WATER COOLING SYSTEM SECTION

SERCK RADIATOR CENTRE

(A.E.C. TYPE UNITS)

TYPE

NI/0236

railcar.co.uk

**INDEX**  
**UNITS, COMPONENTS AND MAJOR PARTS FOR WATER COOLING SYSTEM**

Description	Page No.
Belt ... ..	N4
Block, Tube ... ..	N1
Bracket, Frame ... ..	N4
Bracket, Side ... ..	N1
Bracket, Tensioner ... ..	N4
Cock, Drain ... ..	N1, N2
Cowl, Fan ... ..	N3
Fan ... ..	N3
Flange, Coupling ... ..	N4
Pad, Mounting ... ..	N4
Pipe, Water ... ..	N2
Shaft, Fan Drive ... ..	N4
Stay Tube, Radiator ... ..	N4
Tank, Bottom ... ..	N1
Tank, Top ... ..	N1
Tensioner, Belt ... ..	N4
Thermostat ... ..	N2

railcar.co.uk

**NUMERICAL INDEX TO PART NUMBERS**

Manufacturer's Basic Part No.	B.R. Catalogue No.	Page	Manufacturer's Basic Part No.	B.R. Catalogue No.	Page
AA3045	9/15/97520	N4	Z15/30710	9/15/63559	N3
AA3049	9/15/97525	N4	Z15/30716	9/15/63558	N3
AB1607	9/15/63543	N3	Z15/30731	9/15/63561	N3
AB2605	9/15/63571	N4	Z15/30780	9/15/63556	N3, N4
AB2606	9/15/63572	N4	4-1	9/43/3964	N3
A13568	9/15/63579	N4	4-20	9/43/3951	N3
A21485	9/15/63545	N3	5-4	9/15/61447	N4
A21769	9/15/63573	N4	39-3	9/15/46831	N1
A63606	9/15/63576	N4	39-4	9/15/45500	N1
A63701	9/15/61464	N4	40-31	9/15/63582	N4
A63803	9/15/63580	N4	40-32	9/15/63577	N4
A65301	9/15/63575	N4	40-37	9/15/63513	N1
A88015	9/15/63560	N3	41-65	9/15/94087	N2, N3
A1/21714	9/15/63574	N4	43-173	9/15/63557	N3
A1/24452	9/15/62951	N2	78-657	9/15/63515	N1, N2
E2/0673	9/15/63563	N4	81-260	9/15/63552	N3
E2/0689	9/15/63562	N4	81-261	9/15/63553	N3
G1/14927	9/15/63564	N4	81-264	9/15/46619	N3
G1/14928	9/15/63565	N4	81-265	9/15/63551	N3
N0888	9/15/63533	N2	81-307	9/15/63554	N3
N2078	9/15/63501	N1	81-312	9/15/99039	N4
N2266	9/15/63503	N1	81-320	9/15/63555	N3
N2518	9/15/63536	N3	81-2203	9/15/63550	N3
N2521	9/15/63535	N3	81-2336	9/15/61045	N2
N1/0234	9/15/63508	N1	85-32		N1
N1/0236	9/15/63500	N1	85-33		N2, N3
N10180	9/15/63501	N1	85-34		N2, N3
N10182	9/15/63504	N1	85-36		N3
N10441	9/15/63507	N1	86-33		N3, N4
N10946	9/15/63527	N2	86-34		N3
N10966	9/15/63529	N2	86-36		N3, N4
N11020	9/15/63520	N2	90-35		N4
N11021	9/15/63518	N2	90-50		N4
N11022	9/15/63524	N2	90-156		N3
N11744	9/15/63568	N4	91-132		N1
N12777	9/15/63534	N2	91-133		N1
N12805	9/15/63522	N2	99-156		N3
N14210	9/15/63541	N3	99-271		N4
N14969	9/15/63537	N3	100-7		N3, N4
N15024	9/15/63547	N3	100-8		N3
N15025	9/15/63566	N4	100-9		N4
N15026	9/15/63567	N4	100-12		N3
N17579	9/15/63509	N1	100-16		N3, N4
N17580	9/15/63510	N1	121-114	9/15/63583	N4
N17581	9/15/63511	N1	125-101	9/15/63514	N1
N18512	9/15/63542	N3	125-102	9/15/90240	N1
N18513	9/15/63523	N2	125-103	9/15/63506	N1
N18514	9/15/63525	N2	125-122	9/15/35433	N3
N18515	9/15/63528	N2	125-123	9/15/94826	N2
N18516	9/15/63519	N2	125-124	9/15/94336	N1
N21702	9/15/63539	N3	125-151	9/15/63538	N3
N1/10624	9/15/63512	N1	125-155	9/15/33166	N1
Z31992	9/15/34200	N4	125-156	9/15/63505	N1
Z44911	9/15/63531	N2	134-3		N3, N4
Z1/30710		N4	134-6		N3, N4
Z1/44026	9/15/61041	N2	134-8		N3, N4
Z1/44516	9/15/63530	N2	135-2		N1
Z2/32065	9/15/63516	N1, N2	135-3		N1, N3
Z3/32018	9/15/63544	N3	135-4		N3
Z5/30608	9/15/63581	N4	134-6		N3
Z6/44891	9/15/61489	N4	135-32		N1
Z7/30793	9/15/63570	N4	135-33		N2
Z7/44857	9/15/63540	N3	135-34		N2
Z8/44803	9/15/63569	N4	135-36		N3
Z9/30713	9/15/63546	N3	135-63		N4

## NUMERICAL INDEX TO PART NUMBERS

Manufacturer's Basic Part No.	B.R. Catalogue No.	Page	Manufacturer's Basic Part No.	B.R. Catalogue No.	Page
216-282	9/15/63549	N3			
216-573	9/15/63548	N3			
251-37	9/15/63521	N2			
332-86		N2			
341-168	9/15/94057	N1			
341-252	9/15/90253	N1			
5091-2	9/15/61499	N3, N4			

railcar.co.uk

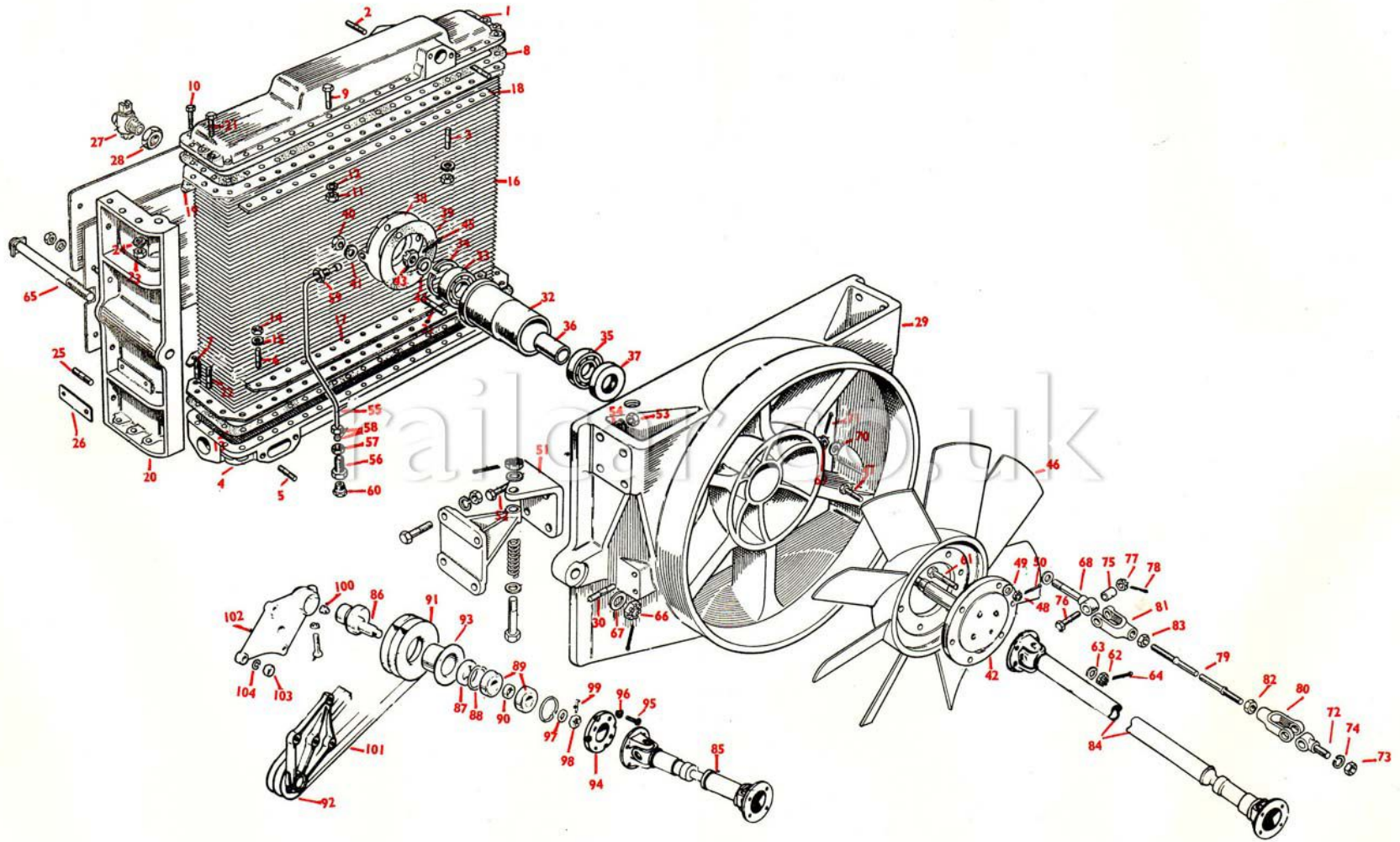
B.R. Cat. No.	A.E.C. Basic Part No.	Plate Ref.	Designation	Used on	No. Req. per Radiator	Remarks	
9/15/63500	N1/0236	N1	<b>WATER COOLING SYSTEM</b>				
9/15/63501	N2078		<b>RADIATOR CENTRE COMPLETE</b> ... ..	} DTO1/B, 1/2, 1/5, 1/7, 1/11, 1/11B	1		
9/15/63502	N10180	1	<b>TOP TANK WITH STUDS</b> ... ..		1		
9/15/33166	125-155	2	Tank, Top ... ..	"	1		
9/15/90240	125-102	3	Stud, $\frac{3}{8}$ " B.S.F. $\times$ $1\frac{7}{8}$ ", Special ... ..	"	4	Water Pipe	
9/15/63503	N2266		Stud, $\frac{1}{4}$ " B.S.F. $\times$ $1\frac{1}{4}$ ", Special ... ..	"	6	Tank	
9/15/63504	N10182	4	<b>BOTTOM TANK WITH STUDS</b> ... ..	"	1		
9/15/63505	125-156	5	Tank, Bottom ... ..	"	1		
9/15/90240	125-102	6	Stud, $\frac{3}{8}$ " B.S.F. $\times$ 2", Special ... ..	"	4	Water Pipe	
9/15/63506	125-103	7	Stud, $\frac{1}{4}$ " B.S.F. $\times$ $1\frac{1}{4}$ ", Special ... ..	"	8	} Tank	
9/15/63507	N10441	8	Stud, $\frac{1}{4}$ " B.S.F. $\times$ $1\frac{3}{8}$ ", Special ... ..	"	1		
9/15/46831	39-3	9	<b>Joint</b> ... ..	"	1		
9/15/45500	39-4	10	Bolt, $\frac{1}{2}$ " B.S.F. $\times$ 1", Drilled, Special ... ..	"	28		
	91-132	11	Bolt, $\frac{1}{4}$ " B.S.F. $\times$ $1\frac{1}{8}$ " ... ..	"	5	} Top Tank	
	135-32		Nut, Plain, $\frac{1}{2}$ " B.S.F., "Rustless" ... ..	"	39		
	135-2	12	Washer, Grover, $\frac{1}{4}$ " ... ..	"	33		
9/15/63507	N10441	13	Washer, Thackray, $\frac{1}{4}$ " ... ..	"	6		
9/15/46831	39-3	9	<b>Joint</b> ... ..	"	1		
9/15/45500	39-4	10	Bolt, $\frac{1}{2}$ " B.S.F. $\times$ 1", Drilled, Special ... ..	"	29		
	91-132	11	Bolt, $\frac{1}{4}$ " B.S.F. $\times$ $1\frac{1}{8}$ ", Drilled, Special ... ..	"	1	} Bottom Tank	
	135-32	12	Nut, Plain, $\frac{1}{4}$ " B.S.F., "Rustless" ... ..	"	30		
	85-32	14	Washer, Grover, $\frac{1}{4}$ " ... ..	"	30		
	135-2	15	Nut, Plain, $\frac{1}{4}$ " B.S.F. ... ..	"	9		
		15	Washer, Thackray, $\frac{1}{4}$ " ... ..	"	9		
9/15/63508	N1/0234	16	<b>TUBE BLOCK COMPLETE, SERCK No. C9712</b> ... ..	"	1		
9/15/63509	N17579	17	Plate, Backing, Rear ... ..	"	1	Bottom Tank	
9/15/63510	N17580	18	Plate, Backing, Rear ... ..	"	1	Top Tank	
9/15/63511	N17581	19	Plate, Backing, Front ... ..	"	2	Top and Bottom Tanks	
9/15/63512	N1/12624	20	Bracket, Side ... ..	"	2		
9/15/63513	40-37	21	Bolt, $\frac{5}{16}$ " B.S.F. $\times$ $1\frac{5}{8}$ ", Drilled, Special ... ..	"	11		
9/15/94336	125-124	22	Stud, $\frac{5}{16}$ " B.S.F. $\times$ $1\frac{5}{8}$ ", Special ... ..	"	1		
	91-133	23	Nut, Plain, $\frac{5}{16}$ " B.S.F., "Rustless" ... ..	"	12		
	135-3	24	Washer, Thackray, $\frac{5}{16}$ " ... ..	"	12		
9/15/63514	124-101	25	Stud, $\frac{1}{2}$ " B.S.F. $\times$ $1\frac{1}{8}$ ", Special ... ..	"	8	} Radiator Covers	
9/15/90253	341-252	26	Plate, Series No. ... ..	"	1		
9/15/94059	341-168		Drive Screw, Parker Kalon, No. 10 $\times$ $\frac{3}{8}$ " ... ..	"	2		
9/15/63515	78-657	27	Drain Cock ... ..	"	1		
9/15/63516	Z2/32065	28	Back Nut, Special ... ..	"	1		

B.R. Cat. No.	A.E.C. Basic Part No.	Plate Ref.	Designation	Used on	No. Req. per Radiator	Remarks	
			<b>WATER COOLING SYSTEM—Continued</b>	} DTOI/B, 1/2, 1/5, 1/7, 1/11, 1/11B			
			<b>WATER PIPES AND FITTINGS</b>				
9/15/63521	251-37		Joint, Hole 48 m/m. Dia. ... ..	"	1	} Radiator Top Tank	
9/15/63518	N11021		Flange ... ..	"	1		Water Pipe
9/15/63519	N18516		Joint, Hole $\frac{7}{8}$ " Dia. ... ..	"	1	Bottom Tank	
9/15/63527	N10946		Water Pipe ... ..	"	1	Radiator Bottom Tank	
9/15/63528	N18515		Joint, Elongated Hole ... ..	"	1	} Water Inlet Pipe	
9/15/63520	N11020		Flange ... ..	"	1		
9/15/63521	251-37		Joint, Hole 48 m/m. Dia. ... ..	"	1	} Thermostat	
9/15/63522	N12805		Flange ... ..	"	1		
9/15/63523	N18513		Joint ... ..	"	1	} Thermostat By-Pass	
9/15/63524	N11022		Flange ... ..	"	1		
9/15/63525	N18514		Joint, Hole $1\frac{3}{16}$ " Dia. ... ..	"	1	} Thermostat to Engine Water Pump	
9/15/63520	N11020		Flange ... ..	"	1		
9/15/63529	N10966		Junction Unit, 3-Way ... ..	"	1		
9/15/63530	Z1/44516		Plug, Special ... ..	"	2		
9/15/63531	Z44911		Washer, Special ... ..	"	2		
9/15/63515	78-657		Drain Cock ... ..	"	1		
9/15/63516	Z2/32065		Backnut, Special ... ..	"	1		
9/15/63533	N0888		<b>THERMOSTAT COMPLETE</b> ... ..	"	1		
9/15/63534	N12777		Body ... ..	"	1		
9/15/63530	Z1/44516		Plug, Special ... ..	"	1		
9/15/63531	Z44911		Washer, Special ... ..	"	1		
9/15/94826	125-123		Stud, $\frac{5}{16}$ " B.S.F. x $1\frac{3}{8}$ ", Special ... ..	"	2		
9/15/61041	Z1/44026		Dowel ... ..	"	1		
9/15/61045	81-2336		<b>THERMOSTAT, SMITHS No. 84823/82</b> ... ..	"	1		
9/15/63521	251-37		Joint ... ..	"	1	} Thermostat	
9/15/94087	41-65		Bolt, $\frac{3}{8}$ " B.S.F. x $1\frac{1}{2}$ ", Drilled, Special ... ..	"	6		
	85-34		Nut, Plain, $\frac{3}{8}$ " B.S.F. ... ..	"	6		
	135-34		Washer, Grover, $\frac{3}{8}$ " ... ..	"	6		
	85-33		Nut, Plain, $\frac{5}{16}$ " B.S.F. ... ..	"	2		
	135-33		Washer, Grover, $\frac{5}{16}$ " ... ..	"	2		
9/15/62951	A1/24452 332-86		Hose, Flexible, $2\frac{3}{8}$ " O.D. x $2\frac{3}{4}$ " ... ..	"	1	} Oil Cooler	
			Clip, Jubilee, No. 3 ... ..	"	2		

B.R. Cat. No.	A.E.C. Basic Part No.	Plate Ref.	Designation	Used on	No. Req. per Radiator	Remarks
		<b>NI</b>	<b>WATER COOLING SYSTEM—Continued</b>			
			<b>FAN COWL AND FAN COMPLETE</b>	} DTO1/B, 1/2, 1/5, 1/7, 1/11, 1/11B		
			<b>FAN COWL WITH STUDS</b> ... ..			
9/15/63535	N2521		Cowl ... ..		1	
9/15/63536	N2518		Stud, $\frac{3}{8}$ " B.S.F. $\times$ $1\frac{3}{8}$ ", Special ... ..		1	
9/15/63537	NI4969	29	Stud, $\frac{5}{16}$ " B.S.F. $\times$ $1\frac{3}{8}$ ", Special ... ..		2	Water Pipe Clip
9/15/63538	I25-151	30	Sleeve, Cowl ... ..		3	Cover
9/15/35433	I25-122	31	<b>Bearing, Ball, Hoffmann No. L.S.9</b> ... ..		1	"OO" Fit
9/15/63539	N21702	32	Circlip, Seeger, 2" Dia. ... ..		1	"OO" Fit
9/43/3951	4-20	33	<b>Bearing, Ball, Hoffmann No. L.S.10</b> ... ..		1	"OO" Fit
9/43/3964	99-156	34	Distance Piece ... ..		1	
9/15/63540	4-1	35	<b>Oil Seal, I-<math>\frac{7}{16}</math>" <math>\times</math> <math>2\frac{1}{4}</math>" <math>\times</math> <math>\frac{3}{8}</math>" Wide, Weston</b> ... ..		1	
9/15/63541	Z7/44857	36	Cover ... ..		1	
9/15/61499	5091-2	37	<b>Joint</b> ... ..		As req.	
9/15/63541	NI4210	38	Nut, Plain, $\frac{5}{16}$ " B.S.F. ... ..		3	} Fan Cowl Cover
9/15/63542	NI8512	39	Washer, Thackray, $\frac{5}{16}$ " ... ..		3	
9/15/63543	85-33	40	<b>COUPLING FLANGE AND SPINDLE COMPLETE</b> ... ..		1	
9/15/63544	AB1607	42	Nut, Special, $\frac{5}{8}$ " B.S.F., Slotted ... ..		1	
	Z3/32018	43	Washer, Plain, $\frac{5}{8}$ " ... ..		1	
	134-8	44	Split Pin, $\frac{1}{8}$ " $\times$ $1\frac{3}{8}$ " ... ..		1	
	100-16	45	<b>Fan</b> ... ..		1	
9/15/63545	A21485	46	Bolt, Special, $\frac{5}{16}$ " B.S.F. $\times$ $1\frac{3}{8}$ ", Drilled ... ..		6	} Fan
9/15/63546	Z9/30713	47	Nut, Slotted, $\frac{5}{16}$ " B.S.F. ... ..		6	
	86-33	48	Washer, Plain, $\frac{5}{16}$ " ... ..		6	
	134-3	49	Split Pin, $\frac{5}{16}$ " $\times$ $\frac{3}{4}$ " ... ..		6	
	100-7	50	Bracket ... ..		2	
9/15/63547	NI5024	51	Bolt, $\frac{3}{8}$ " B.S.F. $\times$ $1\frac{1}{2}$ ", Drilled, Special ... ..		8	} Fan Cowl Brackets
9/15/94087	41-65	52	Nut, Plain, $\frac{3}{8}$ " B.S.F. ... ..		8	
	85-34	53	Washer, Thackray, $\frac{3}{8}$ " ... ..		8	
	135-4	54	Pipe, "Bundy" Steel, $\frac{3}{8}$ " O/D. ... ..		12"	} Alternatives
9/15/63548	216-573	55	Pipe, Steel, $\frac{3}{8}$ " O/D. $\times$ 18 I.W.G., 1/D. ... ..			
9/15/63549	216-282	56	Adaptor ... ..		1	
9/15/63550	81-2203	57	Nut, Adaptor ... ..		1	
9/15/63551	81-265	58	Nut, Union, $\frac{1}{8}$ " B.S.F. Steel, Special ... ..		1	} Lubrication Pipe
9/15/46619	81-264	59	Olive, Brass 0-250" Dia., Special ... ..		2	
9/15/63552	81-260	60	Nut, Retaining, Special ... ..		1	
9/15/63553	81-261		Nipple, Grease, Tecaletit No. 1 ... ..		1	
9/15/63554	81-307		Adaptor ... ..		1	
9/15/63555	81-320		Locknut ... ..		1	} Fan Bearing
9/15/63551	81-265		Nut, Union $\frac{1}{8}$ " B.S.F. Steel, Special ... ..		1	
9/15/46619	81-264		Olive, Brass, 0-250" Dia., Special ... ..		1	
9/15/63552	81-260		Bolt, Special, $\frac{3}{8}$ " B.S.F. $\times$ $1\frac{1}{4}$ ", Drilled ... ..		4	} Drive Shaft to Flange
9/15/63556	Z15/30780	61	Nut, Slotted, $\frac{5}{16}$ " B.S.F. ... ..		4	
	86-33	62	Washer, Plain, $\frac{5}{16}$ " ... ..		4	
	134-3	63	Split Pin, $\frac{5}{16}$ " $\times$ $\frac{3}{4}$ " ... ..		4	
9/15/63557	100-7	64	Bolt, $\frac{1}{2}$ " B.S.F. $\times$ $7\frac{3}{8}$ ", Drilled, Special ... ..		2	} Radiator to Fan Cowl
	43-173	65	Locknut, $\frac{1}{2}$ " B.S.F., "Simmonds" No. NP-F162 ... ..		2	
	90-156	66	Washer, Plain, $\frac{1}{2}$ " ... ..		2	
	134-6	67	Eyebolt, Special, $3\frac{1}{8}$ " Long, Drilled ... ..		1	} Fan Cowl Anchor Bolt
9/15/63558	Z15/30716	68	Nut, Slotted, $\frac{1}{2}$ " B.S.F. ... ..		1	
	86-36	69	Washer, Plain, $\frac{1}{2}$ " ... ..		2	
	134-6	70	Split Pin, $\frac{3}{32}$ " $\times$ $1\frac{1}{8}$ " ... ..		1	
	100-12	71	Eyebolt, Special, $1\frac{3}{8}$ " Long ... ..		1	
9/15/63559	Z15/30710	72	Nut, Plain, $\frac{1}{2}$ " B.S.F. ... ..		1	
	85-36	73	Washer, Grover, $\frac{1}{2}$ " ... ..		1	
9/15/63560	A88015	74	<b>BUSH SILENT BLOC. E20417</b> ... ..		2	} Crossmember
9/15/63561	Z15/30731	75	Bolt, Special, $\frac{3}{8}$ " B.S.F. $\times$ $1\frac{7}{8}$ ", Drilled ... ..		2	
	86-34	76	Nut, Slotted, $\frac{3}{8}$ " B.S.F. ... ..		2	
	100-8	77	Split Pin, $\frac{3}{32}$ " $\times$ $\frac{3}{4}$ " ... ..		2	



B.R. Cat. No.	A.E.C. Basic Part No.	Plate Ref.	Designation	Used on	No. Req. per Radiator	Remarks
9/15/63562	E2/0689	NI	<b>WATER COOLING SYSTEM—Continued</b>	} DTO1/B, 1/2, 1/5, 1/7, 1/11, 1/11B	1	
9/15/63563	E2/0673	79	<b>RADIATOR STAY TUBE COMPLETE</b>		1	
9/15/63564	G1/14927	80	<b>TUBE AND ENDS</b> ... ..	1		
9/15/63565	G1/14928	81	Fork End, R.H. ... ..	1		
	90-35	82	Fork End, L.H. ... ..	1		
	90-50	83	Locknut, 1/2" B.S.F., R.H. ... ..	1		
			Locknut, 1/2" B.S.F., L.H. ... ..	1		
9/15/63566	N15025		Bracket, Frame ... ..	1		
9/15/63567	N15026		Bracket, Frame ... ..	2	Tie Bar Radiator	
9/15/63568	N11744		<b>Mounting Pad</b> ... ..	4		
9/15/63569	Z8/44803		Distance Tube ... ..	2		
9/15/63570	Z7/30793		Bolt, Special, 1/2" B.S.F. x 2 3/4", Drilled	2	} Radiator Mounting	
	86-36		Nut, Slotted, 1/2" B.S.F. ... ..	2		
	134-6		Washer, Plain, 1/2" ... ..	2		
	100-9		Split Pin, 3/32" x 1 1/8" ... ..	2		
9/15/97520	AA3045	84	<b>FAN DRIVE AND FITTINGS</b>			
9/15/63556	Z15/30780	61	<b>FAN DRIVE SHAFT COMPLETE, H.S. 38-0479</b>		1	Radiator
	86-33	62	Bolt, Special, 5/16" B.S.F. x 1 1/4", Drilled ...	4		} Drive Shaft to Flange
	134-3	63	Nut, Slotted, 5/16" B.S.F. ... ..	2		
	100-7	64	Washer, Plain, 5/16" ... ..	2		
		64	Split Pin, 5/64" x 3/8" ... ..	2		
9/15/97525	AA3049	85	<b>FAN DRIVE SHAFT COMPLETE, H.S. 41-0038</b>		1	Engine
9/15/63571	AB2605		<b>BELT TENSIONER COMPLETE</b> ... ..		1	Driven Pulley
9/15/63572	AB2606		<b>BELT TENSIONER COMPLETE</b> ... ..		1	Driving Pulley
9/15/61464	A63701	86	Spindle ... ..	1		
9/15/61499	5091-2	87	<b>Oil Seal, Weston, 1 7/16" x 2 1/4" x 3/8" Wide</b> ...	1		
	99-271	88	Circlip, Seeger, 2 3/16" Dia. ... ..	2		
9/15/61447	5-4	89	<b>Bearing, Ball, Hoffmann No. 9MS</b> ... ..	2		"OO" Fit
9/15/61489	Z6/44891	90	Distance Piece ... ..	1		
9/15/63573	A21769	91	Pulley, Driven ... ..	1		
9/15/63574	A1/21714	92	Pulley, Driving ... ..	1		
9/15/63575	A65301	93	Hub, Pulley ... ..	1		
9/15/63576	A63606	94	Flange, Coupling ... ..	1		
9/15/63577	40-32	95	Bolt, 5/16" B.S.F. x 1", Special, Drilled	8		
	135-63	96	Washer, Shakeproof, 5/16" Internal ... ..	8		
	134-8	97	Washer, Plain, 5/8" ... ..	2		
9/15/34200	Z31992	98	Nut, Special, 5/8" B.S.F., Slotted ... ..	2		
	100-16	99	Split Pin, 1/8" x 1 3/8" ... ..	2		
9/15/99039	81-312	100	Lubricator, Tecaletit No. 4657 ... ..	2		3/8" B.S.F.
9/15/63579	A13568	101	<b>Belt</b> ... ..	2		
9/15/63580	A63803	102	Bracket, Tensioner ... ..	2		
	Z1/30710	103	Nut, Special ... ..	12		
9/15/63581	Z5/30608	104	Washer, Special, 7/16" Thackray, Plated	12		
9/15/63582	40-31		Bolt, 5/16" B.S.F. x 7/8", Drilled ... ..	8		
9/15/63583	121-114		Setscrew, 5/16" B.S.F. x 3/4" ... ..	8		} Engine End Couplings
	135-63		Washer, Shakeproof, 5/16" Internal ... ..	16		



# WATER COOLING SYSTEM SECTION

SERCK RADIATOR CENTRE

(A.E.C. TYPE UNITS)

TYPE

NI/0238

railcar.co.uk

**INDEX**  
**UNITS, COMPONENTS AND MAJOR PARTS FOR WATER COOLING SYSTEM**

Description	Page No.
Block, Tube ... ..	21
Bracket, Fan Cowl ... ..	23
Bracket, Side ... ..	21
Cap, Filler ... ..	22
Cowl, Fan ... ..	23
Fan ... ..	23
Flange, Coupling ... ..	23
Pad, Mounting ... ..	24
Pipe, Water ... ..	22
Shaft, Fan Drive ... ..	24
Stay Tube, Radiator ... ..	24
Tank, Bottom ... ..	21
Tank, Header ... ..	22
Tank, Top ... ..	22
Thermostat ... ..	22
Unit, Junction, 3-Way ... ..	2

railcar.co.uk

**NUMERICAL INDEX TO PART NUMBERS**

Manufacturer's Basic Part No.	B.R. Catalogue No.	Page	Manufacturer's Basic Part No.	B.R. Catalogue No.	Page
AA1/3023	9/15/63621	N4	Z3/32018	9/15/63544	N3
AA1/3075	9/15/63623	N4	Z4/30694		N2
AB1607	9/15/63543	N3	Z6/30635	9/15/63619	N4
A21485	9/15/63545	N3	Z7/30765	9/15/63620	N4
A88015	9/15/63560	N3, N4	Z7/30793	9/15/30793	N4
E3/0650	9/15/63615	N4	Z7/44857	9/15/63540	N3
E3/0651	9/15/63614	N4	Z8/44803	9/15/63569	N4
G1/14927	9/15/63564	N4	Z9/30713	9/15/63546	N3
G1/14928	9/15/63565	N4	Z12/30744	9/15/63610	N2
N0888	9/15/63533	N2	Z15/30710	9/15/63559	N4
N1547	9/15/63607	N2	Z15/30716	9/15/63558	N3
N2271	9/15/63587	N1	Z15/30731	9/15/63561	N4
N2518	9/15/63536	N3	Z15/30780	9/15/63556	N3
N2523	9/15/63611	N3	Z18/30733	9/15/63617	N4
NI/0234	9/15/63508	N1	4-1	9/43/3964	N3
NI/0238	9/15/63584	N1	4-20	9/43/3951	N3
NI/2003	9/15/63585	N1	39-3	9/15/46831	N1
NI0175	9/15/63586	N1	39-4	9/15/45500	N1
NI0176	9/15/63588	N1	40-38	9/15/63590	N1
NI0441	9/15/63507	N1	41-65	9/15/94087	N2, N3
NI0945	9/15/63599	N2	78-565	9/15/63591	N1
NI0946	9/15/63527	N2	81-260	9/15/63552	N3
NI0954	9/15/63598	N2	81-261	9/15/63553	N3
NI0966	9/15/63529	N2	81-264	9/15/46619	N3
NI1020	9/15/63520	N2	81-265	9/15/63551	N3
NI1022	9/15/63524	N2	81-307	9/15/63554	N3
NI1744	9/15/63568	N4	81-320	9/15/63555	N3
NI2172	9/15/63616	N4	81-2203	9/15/63550	N3
NI2777	9/15/63534	N2	81-2336	9/15/61045	N2
NI2805	9/15/63522	N2	85-32		N1
NI4210	9/15/63541	N3	85-33		N2, N3
NI4969	9/15/63537	N3	85-34		N2, N3
NI5028	9/15/63612	N3	85-36		N4
NI7579	9/15/63509	N1	86-33		N3, N4
NI7580	9/15/63510	N1	86-34		N4
NI7581	9/15/63589	N1	86-36		N3
NI8512	9/15/63542	N3	90-35		N4
NI8513	9/15/63523	N2	90-50		N4
NI8514	9/15/63525	N2	91-132		N1
NI8515	9/15/63528	N2	91-133		N1
N21702	9/15/63539	N3	99-156		N3
NI/10624	9/15/63512	N1	100-7		N3, N4
NI/10703	9/15/63595	N2	100-8		N4
NI/10726	9/15/63605	N2	100-9		N4
S10614	9/15/63606	N2	100-12		N3
U182504	9/15/63622	N4	100-16		N3
V6944	9/15/63592	N2	103-30	9/15/63601	N2
V37294	9/15/63609	N2	121-127	9/15/63604	N2
V37298	9/15/63608	N2	124-101	9/15/63514	N1
Z1902	9/15/63613	N3	124-153	9/15/63597	N2
Z32034		N2	124-211	9/15/63594	N2
Z44911	9/15/63531	N2	125-102	9/15/90240	N1
Z44977	9/15/63596	N2	125-103	9/15/63506	N1
Z44989	9/15/63593	N2	125-122	9/15/35433	N3
Z1/44026	9/15/61041	N2	125-123	9/15/94826	N2
Z1/44516	9/15/63530	N2	125-124	9/15/94336	N1
Z2/30652		N2	125-151	9/15/63538	N3
Z2/32044		N2	125-156	9/15/63505	N1
Z2/32065	9/15/63516	N1	134-3		N3, N4
Z3/30616		N2	134-6		N3, N4

### NUMERICAL INDEX TO PART NUMBERS

Manufacturer's Basic Part No.	B.R. Catalogue No.	Page	Manufacturer's Basic Part No.	B.R. Catalogue No.	Page
134-8		N3			
135-2		N1			
135-3		N1, N3			
135-4		N3			
135-32		N1			
135-33		N2			
135-34		N2			
135-36		N4			
138-158	9/15/35697	N2			
216-282	9/15/63549	N3			
216-573	9/15/63548	N3			
251-37	9/15/63521	N2			
341-168	9/15/94057	N1			
341-252	9/15/90253	N1			
5091-2	9/15/61499	N3			

railcar.co.uk

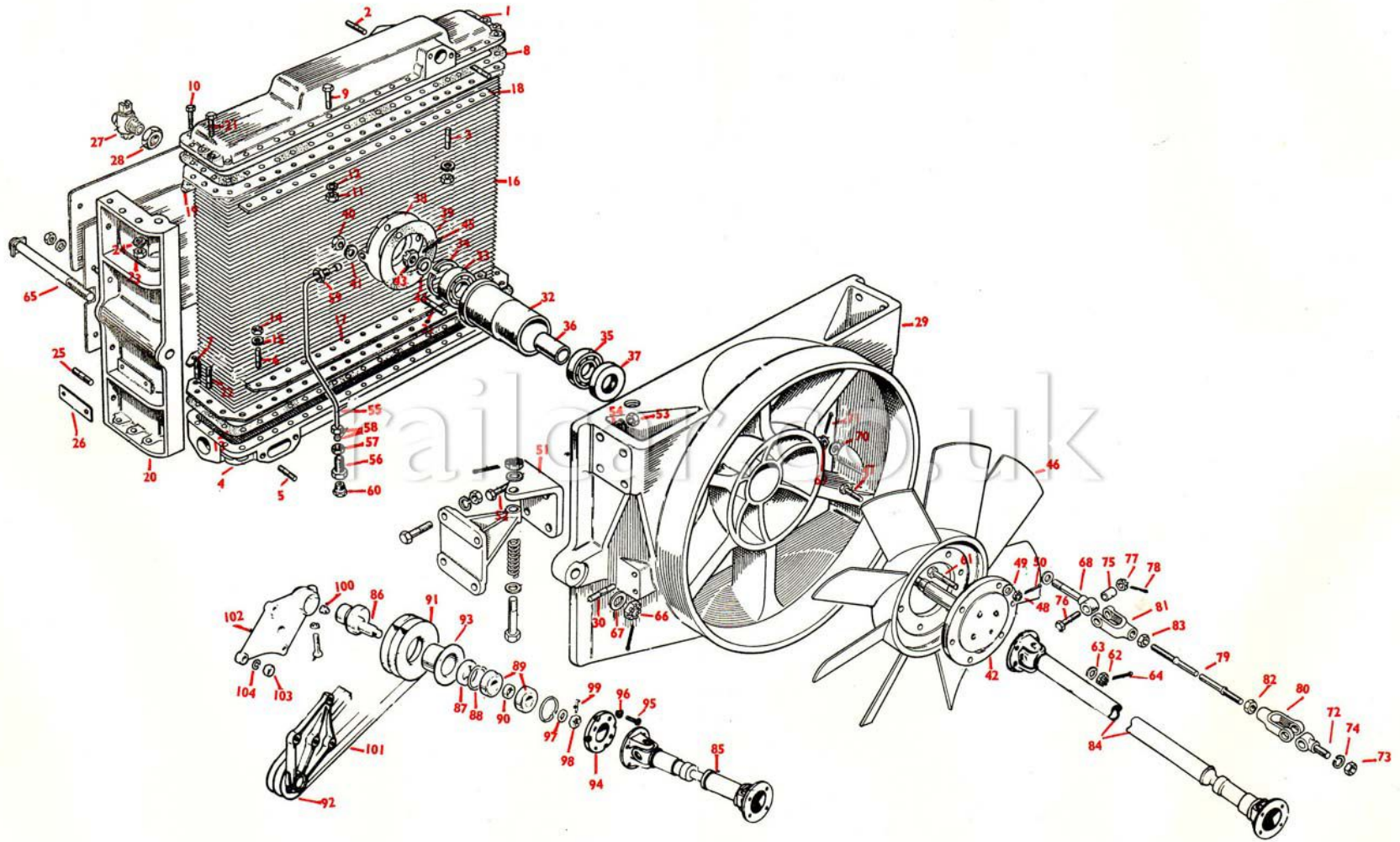
B.R. Cat. No.	A.E.C. Basic Part No.	Plate Ref.	Designation	Used on	No. Req. per Radiator	Remarks
9/15/63584	NI/0238	NI	<b>WATER COOLING SYSTEM RADIATOR CENTRE COMPLETE</b> ... ..	DT01/3, 1/6, 1/20 1/26, 1/32	1	
9/15/63585	NI/2003		<b>TOP TANK WITH STUDS</b> ... ..	"	1	
9/15/63586	NI10175	1	Tank, Top ... ..	"	1	
9/15/63505	125-156	2	Stud, $\frac{3}{8}$ " B.S.F. $\times$ 2", Special ... ..	"	2	Water Pipe Tank
9/15/90240	125-102	3	Stud, $\frac{1}{4}$ " B.S.F. $\times$ 1 $\frac{1}{4}$ ", Special ... ..	"	6	
9/15/63587	N2271		<b>BOTTOM TANK WITH STUDS</b> ... ..	"	1	
9/15/63588	NI10176	4	Tank, Bottom ... ..	"	1	
9/15/63505	125-156	5	Stud, $\frac{3}{8}$ " B.S.F. $\times$ 2", Special ... ..	"	2	Water Pipe Tank
9/15/90240	125-102	6	Stud, $\frac{1}{4}$ " B.S.F. $\times$ 1 $\frac{1}{4}$ ", Special ... ..	"	5	
9/15/63506	125-103	7	Stud, $\frac{1}{4}$ " B.S.F. $\times$ 1 $\frac{3}{8}$ ", Special ... ..	"	1	
9/15/63507	NI10441	8	<b>Joint</b> ... ..	"	1	
9/15/46831	39-3	9	Bolt, $\frac{1}{4}$ " B.S.F. $\times$ 1", Special, Drilled ... ..	"	31	
9/15/45500	39-4	10	Bolt, $\frac{1}{4}$ " B.S.F. $\times$ 1 $\frac{1}{8}$ ", Special, Drilled ... ..	"	2	
	91-132	11	Nut, Plain, $\frac{1}{4}$ " B.S.F., "Rustless" ... ..	"	36	Top Tank
	135-32	12	Washer, Grover, $\frac{1}{4}$ " ... ..	"	36	
	85-32	14	Nut, Plain, $\frac{1}{4}$ " B.S.F. ... ..	"	3	
	135-2	15	Washer, Thackray, $\frac{1}{4}$ " ... ..	"	3	
	NI10441	13	<b>Joint</b> ... ..	"	1	
9/15/63507	NI10441	13	<b>Joint</b> ... ..	"	32	
9/15/46831	39-3	9	Bolt, $\frac{1}{4}$ " B.S.F. $\times$ 1", Special, Drilled ... ..	"	1	
9/15/45500	39-4	10	Bolt, $\frac{1}{4}$ " B.S.F. $\times$ 1 $\frac{1}{8}$ ", Special, Drilled ... ..	"	36	Bottom Tank
	91-132	11	Nut, Plain, $\frac{1}{4}$ " B.S.F., "Rustless" ... ..	"	36	
	135-32	12	Washer, Grover, $\frac{1}{4}$ " ... ..	"	36	
	85-32	14	Nut, Plain, $\frac{1}{4}$ " B.S.F. ... ..	"	3	
	135-2	15	Washer, Thackray, $\frac{1}{4}$ " ... ..	"	3	
9/15/63508	NI/0234	16	<b>TUBE BLOCK COMPLETE, SERCK No. C9712</b> ... ..	"	1	Bottom Tank
9/15/63509	NI17579	17	Plate, Backing, Rear ... ..	"	1	Top Tank
9/15/63510	NI17580	18	Plate, Backing, Rear ... ..	"	1	Top and Bottom Tanks
9/15/63589	NI17581	19	Plate, Backing, Front ... ..	"	2	Top and Bottom Tanks
9/15/63512	NI/10624	20	Bracket, Side ... ..	"	2	
9/15/63590	40-38	21	Bolt, $\frac{5}{16}$ " B.S.F. $\times$ 1 $\frac{3}{8}$ ", Special, Drilled ... ..	"	10	
9/15/94336	125-124	22	Stud, $\frac{5}{16}$ " B.S.F. $\times$ 1 $\frac{1}{8}$ ", Special ... ..	"	2	
	91-133	23	Nut, Plain, $\frac{5}{16}$ " B.S.F., "Rustless" ... ..	"	12	
	135-3	24	Washer, Thackray, $\frac{5}{16}$ " ... ..	"	12	
9/15/63514	124-101	25	Stud, $\frac{1}{4}$ " B.S.F. $\times$ $\frac{7}{8}$ ", Special ... ..	"	8	Radiator Covers
9/15/90253	341-252	26	Plate, Series No. ... ..	"	1	
9/15/94057	341-168	26	Drive Screw, Parker Kalon, No. 10 $\times$ $\frac{3}{8}$ " ... ..	"	2	
9/15/63591	78-565	27	Drain Cock ... ..	"	1	
9/15/63516	Z2/32065	28	Backnut ... ..	"	1	

B.R. Cat. No.	A.E.C. Basic Part No.	Plate Ref.	Designation	Used on	No. Req. per Radiator	Remarks
<b>WATER COOLING SYSTEM—Continued</b>						
9/15/63592	V6944		<b>HEADER TANK COMPLETE</b> ... ..	DTOI/3	1	
9/15/63607	N1547		<b>FILLER CAP COMPLETE</b> ... ..	"	1	
9/15/63608	V37298		Bracket, Support ... ..	"	2	
9/15/63609	V37294		Lug, Bracket ... ..	"	2	
9/15/63610	Z12/30744		Screw, Special, $\frac{1}{4}'' \times \frac{5}{8}''$ ... ..	"	18	
	Z3/30616		Washer, Special, $\frac{1}{4}''$ , Grover ... ..	"	18	
9/15/63593	Z44989		<b>Joint</b> ... ..	"	1	Float Switch
9/15/63594	124-211		Stud, $\frac{1}{2}''$ B.S.F. $\times$ $1\frac{1}{2}''$ , Special ... ..	"	4	
	Z2/32044		Nut, $\frac{1}{2}''$ B.S.F., Plain ... ..	"	4	
	Z4/30694		Washer, $\frac{1}{2}''$ , Bright Steel ... ..	"	4	
9/15/63595	N1/10703		Water Pipe ... ..	"	2	Hose Connection
9/15/63596	Z44977		<b>Joint</b> ... ..	"	2	
9/15/63597	124-153		Stud, $\frac{3}{8}''$ B.S.F. $\times$ $1\frac{1}{2}''$ ... ..	"	4	
	Z32034		Nut, Special, $\frac{3}{8}''$ , Plain ... ..	"	4	
	Z2/30652		Washer, Special, $\frac{3}{8}''$ , Steel, Bright ... ..	"	4	
9/15/63598	N10954		Water Pipe, Inlet ... ..	DTOI/3, 1/20, 1/26, 1/32	1	} Top Tank
9/15/63599	N10945		Water Pipe, Inlet ... ..	DTOI/6	1	
9/15/63528	N18515		<b>Joint</b> ... ..	DTOI/3, 1/6, 1/20, 1/26, 1/32	1	Bottom Tank
9/15/63527	N10946		Water Pipe, Outlet ... ..	"	1	
9/15/63528	N18515		<b>Joint</b> ... ..	"	1	} Bottom Tank
9/15/63601	103-30		Plug, $\frac{1}{2}''$ Gas ... ..	"	1	
9/15/35697	138-158		Washer, Copper, 21 m/m. $\times$ 29 m/m. $\times$ $\frac{3}{32}''$ , Special ... ..	"	1	
9/15/63529	N10966		Junction Unit, 3-Way ... ..	DTOI/6	2	
9/15/63530	Z1/44516		Plug, Special ... ..	"	2	
9/15/63531	Z44911		Washer, Special ... ..	"	2	
9/15/63601	103-30		Plug, $\frac{1}{2}''$ Gas ... ..	"	1	
9/15/35697	138-158		Washer, Copper, 21 m/m. $\times$ 29 m/m. $\times$ $\frac{3}{32}''$ , Special ... ..	"	1	
9/15/63533	N0888		<b>THERMOSTAT COMPLETE</b> ... ..	DTOI/3, 1/6, 1/20	1	
9/15/63534	N12777		Body ... ..	"	1	
9/15/63530	Z1/44516		Plug ... ..	"	1	
9/15/63531	Z44911		Washer, Special ... ..	"	1	
9/15/94826	125-123		Stud, $\frac{5}{16}''$ B.S.F. $\times$ $1\frac{3}{8}''$ , Special ... ..	"	2	By-Pass Connection
9/15/61041	Z1/44026		Dowel ... ..	"	1	
9/15/61045	81-2336		<b>THERMOSTAT, SMITHS No. 84823/82</b> ... ..	"	1	
9/15/63522	N12805		Flange ... ..	"	1	} Thermostat Inlet— 4 Hole Flange
9/15/63523	N18513		<b>Joint</b> ... ..	"	1	
9/15/94087	41-65		Bolt, $\frac{3}{8}''$ B.S.F. $\times$ $1\frac{3}{8}''$ , Special, Drilled ... ..	"	4	} Flange to Thermostat
	85-34		Nut, Plain, $\frac{3}{8}''$ B.S.F. ... ..	"	4	
	135-34		Washer, Grover, $\frac{3}{8}''$ ... ..	"	4	
9/15/63520	N11020		Flange ... ..	"	1	} Thermostat Outlet— 2 Hole Flange
9/15/63521	251-37		<b>Joint</b> ... ..	"	1	
9/15/63604	121-127		Setscrew, $\frac{3}{8}''$ B.S.F. $\times$ $1\frac{1}{2}''$ ... ..	"	2	} Flange to Thermostat
	85-34		Nut, Plain, $\frac{3}{8}''$ B.S.F. ... ..	"	2	
	135-34		Washer, Grover, $\frac{3}{8}''$ ... ..	"	2	
9/15/63524	N1022		Flange ... ..	"	1	} By-Pass Connection
9/15/63525	N18514		<b>Joint</b> ... ..	"	1	
	85-33		Nut, Plain, $\frac{5}{16}''$ B.S.F. ... ..	"	2	
	135-33		Washer, Grover, $\frac{5}{16}''$ ... ..	"	2	
9/15/63605	N1/10726		Elbow ... ..	DTOI/6	1	} Header Tank
9/15/63606	S10614		Filler Cap ... ..	"	1	



B.R. Cat. No.	A.E.C. Basic Part No.	Plate Ref.	Designation	Used on	No. Req. per Radiator	Remarks
9/15/63611	N2523	NI	<b>WATER COOLING SYSTEM—Continued</b> <b>FAN COWL AND FAN COMPLETE</b> ... ..	DT01/3, 1/16, 1/20, 1/26, 1/32	1	
9/15/63536	N2518		<b>FAN COWL WITH STUDS</b> ... ..	"	1	
9/15/63537	NI4969	29	Cowl ... ..	"	1	
9/15/63538	125-151	30	Stud, $\frac{3}{8}$ " B.S.F. $\times$ $1\frac{3}{8}$ ", Special ... ..	"	2	Water Pipe Clip
9/15/35433	125-122	31	Stud, $\frac{5}{16}$ " B.S.F. $\times$ $1\frac{3}{8}$ ", Special ... ..	"	3	Cover
9/15/63539	N21702	32	Sleeve, Cowl ... ..	"	1	
9/43/3951	4-20	33	<b>Bearing, Ball, Hoffmann No. L.S.9</b> ... ..	"	1	"OO" Fit
	99-156	34	Circlip, Seeger, 2" Dia. ... ..	"	1	
9/43/3964	4-1	35	<b>Bearing, Ball, Hoffmann No. L.S.10</b> ... ..	"	1	"OO" Fit
9/15/63540	Z7/44857	36	Distance Piece ... ..	"	1	
9/15/61499	5091-2	37	<b>Oil Seal, <math>1\frac{7}{16}</math>" <math>\times</math> <math>2\frac{1}{4}</math>" <math>\times</math> <math>\frac{3}{8}</math>" Wide, Weston</b> ... ..	"	1	
9/15/63541	NI4210	38	Cover ... ..	"	1	
9/15/63542	NI8512	39	<b>Joint</b> ... ..	"	As req.	
	85-33	40	Nut, Plain, $\frac{5}{16}$ " B.S.F. ... ..	"	3	} Fan Cowl Cover
	135-3	41	Washer, Thackray, $\frac{5}{16}$ " ... ..	"	3	
9/15/63543	AB1607	42	<b>COUPLING FLANGE AND SPINDLE COMPLETE</b> ... ..	"	1	
9/15/63544	Z3/32018	43	Nut, Special, $\frac{5}{16}$ " B.S.F., Slotted ... ..	"	1	
	134-8	44	Washer, Plain, $\frac{5}{16}$ " ... ..	"	1	
	100-16	45	Split Pin, $\frac{1}{8}$ " $\times$ $1\frac{1}{8}$ " ... ..	"	1	
9/15/63545	A21485	46	<b>Fan</b> ... ..	"	1	
9/15/63546	Z9/30713	47	Bolt, Special, $\frac{5}{16}$ " B.S.F. $\times$ $1\frac{3}{8}$ ", Drilled ... ..	"	6	} Fan
	86-33	48	Nut, Slotted, $\frac{5}{16}$ " B.S.F. ... ..	"	6	
	134-3	49	Washer, Plain, $\frac{5}{16}$ " ... ..	"	6	
	100-7	50	Split Pin, $\frac{5}{16}$ " $\times$ $\frac{3}{4}$ " ... ..	"	6	
9/15/63612	NI5028	51	Bracket ... ..	"	2	
9/15/94087	41-65	52	Bolt, $\frac{3}{8}$ " B.S.F. $\times$ $1\frac{1}{2}$ ", Drilled, Special ... ..	"	8	} Fan Cowl Brackets
	85-34	53	Nut, Plain, $\frac{3}{8}$ " B.S.F. ... ..	"	8	
	135-4	54	Washer, Thackray, $\frac{3}{8}$ " ... ..	"	8	
9/15/63548	216-573	} 55	Pipe, "Bundy" Steel, $\frac{3}{16}$ " O/D. ... ..	"	As req.	} Alternatives
9/15/63549	216-282		Pipe, Steel, $\frac{3}{16}$ " O/D. $\times$ 18 I.W.G., 1/D. ... ..			
9/15/63550	81-2203	56	Adaptor ... ..	"	1	
9/15/63551	81-265	57	Nut, Adaptor ... ..	"	1	} Lubrication Pipe
9/15/46619	81-264	} 58	Nut, Union, $\frac{1}{8}$ " B.S.F. Steel, Special ... ..	"	1	
9/15/63552	81-260		Olive, Brass, 0-250" Dia., Special ... ..			
9/15/63553	81-261		Nut, Retaining, Special ... ..			
9/15/63554	81-307	60	Nipple, Grease, Tecalemit No. 1 ... ..	"	1	
9/15/63555	81-320		Adaptor ... ..	"	1	} Fan Bearing
9/15/63551	81-265		Nut, Adaptor ... ..	"	1	
9/15/46619	81-264		Nut, Union, $\frac{1}{8}$ " B.S.F. Steel, Special ... ..	"	1	
9/15/63552	81-260		Olive, Brass, 0-250" Dia., Special ... ..	"	1	
9/15/63556	Z15/30780	61	Bolt, Special, $\frac{5}{16}$ " B.S.F. $\times$ $1\frac{1}{4}$ ", Drilled ... ..	"	4	} Fan Shaft to Flange
	86-33	62	Nut, Slotted, $\frac{5}{16}$ " B.S.F. ... ..	"	4	
	134-3	63	Washer, Plain, $\frac{5}{16}$ " ... ..	"	4	
	100-7	64	Split Pin, $\frac{5}{16}$ " $\times$ $\frac{3}{4}$ " ... ..	"	4	
9/15/63613	Z1902	65	<b>FIXING BOLT AND LOCKING PLATE</b> ... ..	"	2	} Radiator to Fan Cowl
	86-36	66	Nut, Slotted, $\frac{1}{2}$ " B.S.F. ... ..	"	2	
	134-6	67	Washer, Plain, $\frac{1}{2}$ " ... ..	"	2	
	100-12		Split Pin, $\frac{3}{32}$ " $\times$ $1\frac{1}{8}$ " ... ..	"	2	
9/15/63558	Z15/30716	68	Bolt, Special, Eyebolt, $3\frac{1}{8}$ " Long, Drilled ... ..	"	1	} Anchor Bolt
	86-36	69	Nut, Slotted, $\frac{1}{2}$ " B.S.F. ... ..	"	1	
	134-6	70	Washer, Plain, $\frac{1}{2}$ " ... ..	"	1	
	100-12	71	Split Pin, $\frac{3}{32}$ " $\times$ $1\frac{1}{8}$ " ... ..	"	1	
9/15/63560	A88015	75	<b>Bush, Silent Bloc, E20417</b> ... ..	"	1	

B.R. Cat. No.	A.E.C. Basic Part No.	Plate Ref.	Designation	Used on	No. Req. per Radiator	Remarks
<b>NI WATER COOLING SYSTEM—Continued</b>						
9/15/63614	E3/0651		<b>RADIATOR STAY TUBE COMPLETE</b> ...	DT01/3	1	Radiator Stay Tube
9/15/63615	E3/0650	79	<b>TUBE AND ENDS</b> ...	"	1	
9/15/63564	G1/14927	80	Fork End, R.H. ...	"	1	
9/15/63565	G1/14928	81	Fork End, L.H. ...	"	1	
	90-35	82	Locknut, 1/2" B.S.F., R.H. ...	"	1	
	90-50	83	Locknut, 1/2" B.S.F., L.H. ...	"	1	
9/15/63616	NI2172	79	Stay Tube... ...	DT01/6	1	
9/15/63564	G1/14927	80	Fork End, R.H. ...	"	1	
9/15/63565	G1/14928	81	Fork End, L.H. ...	"	1	
	90-35	82	Locknut, 1/2" B.S.F., R.H....	"	1	
	90-50	83	Locknut, 1/2" B.S.F., L.H. ...	"	1	
9/15/63559	Z15/30710		Eyebolt, 1 3/8" Long, Special ...	DT01/3, 1/20, 1/26, 1/32	1	Radiator Stay Tube
9/15/63617	Z18/30733	72	Eyebolt 32 m/m. Long, Special ...	DT01/6	1	
	85-36	73	Nut, Plain, 1/2" B.S.F. ...	DT01/3, 1/6, 1/20, 1/26, 1/32	1	
	135-36	74	Washer, Grover, 1/2" ...	"	1	Frame Anchor Bolt
9/15/63560	A88015	75	<b>Bush, Silent Bloc, E20417</b> ...	"	1	
9/15/63561	Z15/30731	76	Bolt, Special, 3/8" B.S.F. x 1 7/8", Drilled ...	"	2	Frame Anchor Bolt
	86-34	77	Nut, Slotted, 3/8" B.S.F. ...	"	2	
	100-8	78	Split Pin, 3/32" x 3/4" ...	"	2	
9/15/63564	G1/14927	80	Fork End, R.H. ...	"	1	Radiator Mounting
9/16/63565	G1/14928	81	Fork End, L.H. ...	"	1	
	90-35	82	Locknut, 1/2" B.S.F., R.H....	"	1	
	90-50	83	Locknut, 1/2" B.S.F., L.H. ...	"	1	
9/15/63568	NI1744		<b>Mounting Pad</b> ...	"	4	
9/15/63569	Z8/44803		Distance Tube ...	"	2	
9/15/63619	Z6/30635		Washer, Special ...	"	2	
9/15/63570	Z7/30793		Bolt, Special, 1/2" B.S.F. x 2 3/4", Drilled ...	"	2	
	86-36		Nut, Slotted, 1/2" B.S.F. ...	"	2	
	134-6		Washer, Plain, 1/2" ...	"	2	
	100-9		Split Pin, 3/32" x 1 1/8" ...	"	2	
9/15/63621	AA1/3023		<b>FAN DRIVE SHAFT COMPLETE</b> ...	DT01/3, 1/6, 1/20	1	Hardy Spicer No. 54.1350 Hardy Spicer No. 55.1013 Hardy Spicer No. 55.1014
9/15/63622	U182504	84	<b>FAN DRIVE SHAFT COMPLETE</b> ...	DT01/26		
9/15/63623	AA1/3075		<b>FAN DRIVE SHAFT COMPLETE</b> ...	DT01/32		
9/15/63620	Z7/30765	61	Bolt, Special, 5/16" B.S.F. x 1", Drilled ...	DT01/3, 1/6, 1/20, 1/26, 1/32		
	86-33	62	Nut, Slotted, 5/16" B.S.F. ...	"	4	Fan Drive Shaft
	134-3	63	Washer, Plain, 5/16" ...	"	4	
	100-7	64	Split Pin, 5/32" x 3/4" ...	"	4	



# WATER COOLING SYSTEM SECTION

NORMAN ISHERWOOD RADIATOR CENTRE

(A.E.C. TYPE UNITS)

TYPE

N5202

railcar.co.uk

**INDEX**  
**UNITS, COMPONENTS AND MAJOR PARTS FOR WATER COOLING SYSTEM**

Description	Page No.
Cap, Filler ... ..	N2
Centre, Radiator ... ..	N1
Cock, Drain ... ..	N1
Cowl, Fan ... ..	N1
Fan ... ..	N1, N2, etc.
Jaw End, Tie Rod ... ..	N1, N4
Pad, Mounting ... ..	N2
Pipe, Filler ... ..	N1
Pipe, Water, Inlet ... ..	N2
Pipe, Water, Outlet ... ..	N3
Plate, Mounting ... ..	N2
Shaft, Fan Drive ... ..	N2
Tank, Expansion ... ..	N2
Tank, Header ... ..	N2
Valve, Relief... ..	N2

railcar.co.uk

**NUMERICAL INDEX TO PART NUMBERS**

Manufacturer's Basic Part No.	B.R. Catalogue No.	Page	Manufacturer's Basic Part No.	B.R. Catalogue No.	Page
AA1/3032	9/15/63679	N3	81-260	9/15/46582	N1
AA1/3075	9/15/63623	N3	81-261	9/15/63553	N1
AB1610	9/15/63640	N1	81-264	9/15/46619	N1
A21485	9/15/63545	N1	81-985	9/15/98015	N1
A88026	9/15/32113	N1, N2, etc.	81-2442	9/15/63641	N1
N2539	9/15/63637	N1	85-32		N2
N2547	9/15/63638	N1	85-33		N1
N4709	9/15/63673	N2	85-34		N2, N4
N4710	9/15/63670	N2	85-36		N2, N4
N5202	9/15/63624	N1	86-33		N1, N3
N5301	9/15/63632	N1	86-35		N1, N2, etc.
N5302	9/15/63631	N1	86-36		N1, N4
NI/0237	9/15/63626	N1	90-38		N2, N4
NI/0240	9/15/63625	N1	99-156		N1
NI0445	9/15/63674	N2	100-7		N1, N3
NI1016	9/15/63661	N2, N4	100-9		N1, N2, etc.
NI1744	9/15/63568	N1, N4	100-16		N1
NI4210	9/15/63541	N1	108-7	9/15/63667	N2
NI4986	9/15/63639	N1	109-14	9/15/63662	N2
NI8512	9/15/63542	N1	109-15	9/15/63659	N2
NI9512	9/15/63680	N4	110-6	9/15/63675	N2
N21702	9/15/63539	N1	110-7	9/15/63669	N2
NI/10627	9/15/63635	N1	110-9	9/15/63653	N2
NI/10726	9/15/63605	N2	110-10	9/15/63668	N2
NI/10911	9/15/63627	N1	124-102	9/15/63671	N2
NI/10912	9/15/63629	N1	124-153	9/15/63597	N2, N4
S10605	9/15/63677	N2	124-155	9/15/64230	N2, N4
S10614	9/15/63606	N2	124-215	9/15/63660	N2, N4
U187445	9/15/63648	N2	125-122	9/15/35433	N1
V6948	9/15/63646	N2	134-3		N1, N3
V6965	9/15/63676	N2	134-6		N1, N4
V6967	9/15/63650	N2	134-8		N1
V6968	9/15/63672	N2	135-3		N1
V6970	9/15/63647	N2	135-4		N2, N4
VI/37236	9/15/63657	N2, N4	135-6		N2, N4
VI/37241	9/15/63658	N2, N4	135-34		N2, N4
VI/37250	9/15/63649	N2, N4	135-91		N2
VI/37251	9/15/63651	N2, N4	135-92		N2
VI/37252	9/15/63652	N2, N4	138-193	9/15/63642	N1
VI/37253	9/15/63663	N2, N4	216-282	9/15/63549	N1
VI/37296	9/15/63656	N2	216-573	9/15/63548	N1
VI/37298	9/15/63682	N2	255-23	9/15/63678	N2
V2/37206	9/15/63664	N2	5091-2	9/15/61499	N1
V2/37207	9/15/63665	N2	5157-1	9/15/63628	N1
V2/37208	9/15/63666	N2	5157-2	9/15/63630	N1
Z2402	9/15/32199	N2, N4			
Z2407	9/15/63643	N2, N4			
Z44114	9/15/63654	N2, N4			
Z44977	9/15/63596	N2, N4			
Z44989	9/15/63593	N2, N4			
Z51770	9/15/63645	N2, N4			
Z51774	9/15/63633	N1, N2, etc.			
Z2/32056		N2			
Z2/32065	9/15/63516	N1			
Z3/32018	9/15/63544	N1			
Z6/30635	9/15/63619	N1, N4			
Z7/30765	9/15/63620	N3			
Z7/30767	9/15/63636	N1, N4			
Z7/44857	9/15/63540	N1			
Z8/44803	9/15/63569	N1, N4			
Z9/30713	9/15/63546	N1			
Z17/30702	9/15/63634	N1, N2, etc.			
4-1	9/43/3964	N1			
4-20	9/43/3951	N1			
40-34	9/15/43042	N1			
78-657	9/15/63515	N1			

B.R. Cat. No.	A.E.C. Basic Part No.	Plate Ref.	Designation	Used on	No. Req. per Radiator	Remarks
9/15/63624	N5202		<b>WATER COOLING SYSTEM ... ..</b> <b>RADIATOR CENTRE COMPLETE WITH FAN COWL ... ..</b>	DT01/12, 1/14, 1/16, 1/17, 1/22, 1/21, 1/23, 1/25, 1/27, 1/31, 1/33, 1/34, 1/40, 1/51, 1/55, 1/56	1 (See Note below)	
9/15/63625	N1/0240		<b>RADIATOR CENTRE COMPLETE WITH WATER PIPES ... ..</b>		1	
9/15/63626	N1/0237		<b>RADIATOR CENTRE COMPLETE, LEYLAND/NORMAN ISHERWOOD, 519793 ... ..</b>		1	
9/15/63627	N1/10911		Water Pipe, Inlet ... ..		1	
9/15/63628	5157-1		Joint... ..		1	
9/15/63629	N1/10912		Water Pipe, Outlet ... ..		1	
9/15/63630	5157-2		Joint... ..		1	
9/15/63515	78-657		Drain Cock ... ..		1	
9/15/63516	Z2/32065		Back Nut, Special ... ..		1	
9/15/63631	N5302		<b>TIE ROD BRACKET PLATE WITH BUSH ... ..</b>		1	
9/15/63632	N5301		<b>TIE ROD BRACKET PLATE Bush, Silent Bloc ... ..</b>		1	
9/15/32113	A88026		Jaw End ... ..		1	Jaw End
9/15/63633	Z51774		Bolt, Special, $\frac{7}{16}'' \times 2\frac{5}{8}''$ , Drilled ... ..		1	
9/15/63634	Z17/30702		Nut, Slotted, $\frac{7}{16}''$ B.S.F. ... ..		1	Radiator Mounting
	86-35		Split Pin, $\frac{3}{32}'' \times 1\frac{1}{4}''$ ... ..		2	
	100-9		Bracket, Mounting ... ..		4	
9/15/63635	N1/10627		<b>Rubber Pad ... ..</b>		2	
9/15/63568	N11744		Distance Tube ... ..		2	
9/15/63569	Z8/44803		Bolt, Special, $\frac{1}{2}''$ B.S.F. $\times 2\frac{7}{8}''$ , Drilled ... ..		2	
9/15/63636	Z7/30767		Nut, Slotted, $\frac{1}{2}''$ B.S.F. ... ..		2	
	86-36		Washer, Plain, $\frac{1}{2}''$ ... ..		2	
	134-6		Washer, Special ... ..		2	
9/15/63619	Z6/30635		Split Pin, $\frac{3}{32}'' \times 1\frac{1}{4}''$ ... ..		1	
	100-9				1	
9/15/63637	N2539		<b>FAN COWL AND FAN COMPLETE ... ..</b>		1	
9/15/63638	N2547		<b>FAN COWL WITH STUDS ... ..</b>		1	
9/15/63639	N14986		Cowl ... ..		3	
9/15/35433	125-122		Stud, $\frac{5}{16}''$ B.S.F. $\times 1\frac{3}{8}''$ , Special ... ..		1	"OO" Fit
9/15/63539	N21702		Sleeve ... ..		1	
9/43/3951	4-20		<b>Bearing, Ball, Hoffmann, No. L.S.9 ... ..</b>		1	"OO" Fit
	99-156		Circlip, Seeger, 2" Dia. ... ..		1	
9/43/3964	4-1		<b>Bearing, Ball, Hoffmann, No. L.S.10 ... ..</b>		1	Fan Cowl
9/15/63540	Z7/44857		Distance Piece ... ..		1	
9/15/61499	5091-2		<b>Oil Seal, <math>1\frac{7}{16}'' \times 2\frac{1}{4}'' \times \frac{3}{8}''</math> Wide, Weston ... ..</b>		1	
9/15/63541	N14210		Cover ... ..		1	
9/15/63542	N18512		Joint... ..		3	
	85-33		Nut, Plain, $\frac{5}{16}''$ B.S.F. ... ..		3	
	135-3		Washer, Thackray, $\frac{5}{16}''$ ... ..		1	
9/15/63640	AB1610		<b>COUPLING FLANGE AND SPINDLE COMPLETE ... ..</b>		1	
			Nut, Special, $\frac{5}{8}''$ , Slotted ... ..		1	Spindle
9/15/63544	Z3/32018		Washer, Plain, $\frac{5}{8}''$ ... ..		1	
	134-8		Split Pin, $\frac{1}{8}'' \times 1\frac{3}{8}''$ ... ..		1	
	100-16		<b>Fan ... ..</b>		6	Fan
9/15/63545	A21485		Bolt, Special, $\frac{5}{16}''$ B.S.F. $\times 1\frac{3}{8}''$ , Drilled ... ..		6	
9/15/63546	Z9/30713		Nut, Slotted, $\frac{5}{16}''$ B.S.F. ... ..		6	
	86-33		Washer, Plain, $\frac{5}{16}''$ ... ..		6	
	134-3		Split Pin, $\frac{5}{64}'' \times \frac{3}{4}''$ ... ..		1	
9/15/98015	81-985		Lubricator, Tecalemit No. 4657 ... ..		1	As req.
9/15/63548	216-573		Pipe, "Bundy" Steel, $\frac{3}{8}''$ O/D. ... ..		1	
9/15/63549	216-282		Pipe, Steel, $\frac{3}{16}''$ O/D. $\times 18$ I.W.G. I/D. ... ..		1	Lubrication Pipe
9/15/46619	81-264		Nut, Union, $\frac{1}{8}''$ B.S.F., Steel, Special ... ..		2	
9/15/46582	81-260		Olive, Brass, 0-250" Dia., Special ... ..		1	
9/15/63553	81-261		Nut, Retaining, Special ... ..		1	
9/15/63641	81-2442		Adaptor ... ..		1	
9/15/63642	138-193		Washer, Copper, $\frac{23}{32}'' \times \frac{9}{16}'' \times \frac{1}{16}''$ , Special ... ..		2	Fan Cowl
9/15/63642	40-34		Bolt, $\frac{5}{16}''$ B.S.F. $\times 1\frac{1}{4}''$ , Special, Drilled ... ..		2	
9/15/43042	85-33		Nut, Plain, $\frac{5}{16}''$ B.S.F. ... ..		2	
	135-3		Washer, Thackray, $\frac{5}{16}''$ ... ..		2	

NOTE:—For Modifications applying to 20 Power Cars of DT01/12 see page N.4

B.R. Cat. No.	A.E.C. Basic Part No.	Plate Ref.	Designation	Used on	No. Req. per Radiator	Remarks
			<b>WATER COOLING SYSTEM—Continued</b>			
9/15/63643	Z2407		<b>TIE ROD JAW END COMPLETE</b> ... ..	DTOI/12, 1/14, 1/16,	1	
9/15/63633	Z51774		Jaw End ... ..	1/17, 1/22, 1/21, 1/23,	1	
9/15/32199	Z2402		<b>EYE BOLT COMPLETE</b> ... ..	1/25, 1/27, 1/31, 1/33,	1	
9/15/63645	Z51770		Eye Bolt ... ..	1/34, 1/40, 1/51, 1/55,	1	
9/15/32113	A88026		<b>Bush, Silent Bloc, Special</b> ... ..	1/56	1	
	90-38		Locknut, $\frac{3}{4}$ " B.S.F. ... ..	"	2	
9/15/63634	Z17/30702		Bolt, Special, $\frac{7}{16}$ " B.S.F. $\times 2\frac{5}{8}$ ", Drilled ... ..	"	1	
	86-35		Nut, Slotted, $\frac{7}{16}$ " B.S.F. ... ..	"	1	
	100-9		Split Pin, $\frac{3}{32}$ " $\times 1\frac{1}{4}$ " ... ..	"	1	
9/15/63646	V6948		<b>HEADER TANK COMPLETE</b> ... ..	DTOI/17	1	
9/15/63647	V6970		<b>HEADER TANK COMPLETE</b> ... ..	DTOI/12, 1/39	1	
9/15/63648	U187445		<b>HEADER TANK COMPLETE</b> ... ..	DTOI/31	1	
9/15/63649	V1/37250		Pipe, Filler ... ..	V6948	1	
9/15/63650	V6967		<b>FILLER PIPE COMPLETE</b> ... ..	V6970	1	
9/15/63651	V1/37251		Flange ... ..	V6948	1	
9/15/63682	V1/37298		Flange ... ..	V6970	1	
9/15/63652	V1/37252		Stiffener ... ..	V6948, V6970, U187445	1	
9/15/63653	110-9		Rivet, Snap Hd., Copper, $\frac{3}{16}$ " $\times \frac{5}{8}$ ", Special ... ..	"	4	Filler Pipe
9/15/63654	Z44114		<b>Joint</b> ... ..	"	1	
9/15/64230	124-155		Stud, $\frac{3}{8}$ " B.S.F. $\times 1\frac{1}{2}$ ", Special ... ..	"	4	
	85-34		Nut, Plain, $\frac{3}{8}$ " B.S.F. ... ..	"	4	
	135-4		Washer, Thackray, $\frac{3}{8}$ " ... ..	"	4	
9/15/63656	V1/37296		Baffle, Float Switch ... ..	"	1	
9/15/63657	V1/37236		Flange ... ..	"	1	
9/15/63658	V1/37241		Stiffener ... ..	"	1	
9/15/63659	109-15		Rivet, Copper, Hollow Mushroom Head, $\frac{3}{16}$ " $\times \frac{3}{4}$ " ... ..	"	4	Float Switch Baffle
9/15/63593	Z44989		<b>Joint</b> ... ..	"	1	
9/15/63660	124-215		Stud, $\frac{1}{2}$ " B.S.F. $\times 2$ ", Special ... ..	"	4	
	85-36		Nut, Plain, $\frac{1}{2}$ " B.S.F. ... ..	"	4	
	135-6		Washer, Thackray, $\frac{1}{2}$ " ... ..	"	4	
9/15/63661	N11016		Seating, Water Pipe ... ..	"	1	
9/15/63662	109-14		Rivet, Copper, Hollow Mushroom Head, $\frac{3}{16}$ " $\times \frac{5}{8}$ " ... ..	"	4	
9/15/63663	V1/37253		Flange ... ..	"	1	
9/15/63596	Z44977		<b>Joint</b> ... ..	"	1	Water Pipe Seating
9/15/63597	124-153		Stud, $\frac{3}{8}$ " B.S.F. $\times 1\frac{1}{2}$ ", Special ... ..	"	2	
	85-34		Nut, Plain, $\frac{3}{8}$ " B.S.F. ... ..	"	2	
	135-34		Washer, Grover, $\frac{3}{8}$ " ... ..	"	2	
9/15/63664	V2/37206		Flange ... ..	V6970	1	
9/15/63665	V2/37207		Stiffener ... ..	"	1	
9/15/63666	V2/37208		<b>Joint</b> ... ..	"	2	Relief Valve
9/15/63667	108-7		Rivet, Csk., $\frac{3}{16}$ " $\times \frac{5}{8}$ " ... ..	"	4	Copper
9/15/63668	110-10		Rivet, Snap Hd., $\frac{3}{16}$ " $\times \frac{3}{4}$ " ... ..	"	2	Copper
9/15/63669	110-7		Rivet, Snap Hd., $\frac{3}{16}$ " $\times \frac{3}{8}$ " ... ..	"	4	Copper
9/15/63670	N4710		<b>RELIEF VALVE COMPLETE</b> ... ..	"	2	
9/15/63671	124-102		Stud, $\frac{1}{2}$ " B.S.F. $\times 1$ ", Special ... ..	"	12	Relief Valve
	85-32		Nut, Plain, $\frac{1}{2}$ " B.S.F. ... ..	"	12	
	135-92		Washer, Shakeproof, $\frac{1}{4}$ " External ... ..	"	12	
9/15/63672	V6968		<b>MOUNTING PLATE COMPLETE</b> ... ..	U187445	1	
9/15/63673	N4709		<b>RELIEF VALVE COMPLETE</b> ... ..	"	3	
9/15/63674	N10445		<b>Joint</b> ... ..	"	3	
	Z2/32056		Nut, 2 B.A., Plain ... ..	"	18	
	135-91		Washer, Shakeproof, $\frac{3}{16}$ " External ... ..	"	18	
9/15/63675	110-6		Rivet, Snap Hd., $\frac{1}{8}$ " $\times \frac{1}{4}$ " ... ..	"	3	Copper
9/15/63676	V6965		<b>EXPANSION TANK COMPLETE</b> ... ..	DTOI/12, 1/31	1	
9/15/63677	S10605		Cap, Filler ... ..	DTOI/14, 1/21	1	Header Tank
9/15/63606	S10614		Cap, Filler ... ..	DTOI/22, 1/34	1	
9/15/63678	255-23		Washer, Cork and Linen, Special, 68 m/m. $\times$ 86 m/m. $\times$ $\frac{3}{16}$ " ... ..	"	1	
9/15/63605	N1/10726		Water Pipe, Outlet ... ..	DTOI/14 DTOI/22	1	



B.R. Cat. No.	A.E.C. Basic Part No.	Plate Ref.	Designation	Used on	No. Req. per Radiator	Remarks
9/15/63679	AA1/3032		<b>WATER COOLING SYSTEM—Continued</b> <b>FAN DRIVE SHAFT COMPLETE,</b> <b>HARDY SPICER DRG. No. 55/1013 ...</b>	DTO1/12, 1/14, 1/16, 1/17, 1/22, 1/21, 1/27, 1/31, 1/33, 1/34, 1/40, 1/51, 1/56	1	See Note below
9/15/63623	AA1/3075		<b>FAN DRIVE SHAFT COMPLETE,</b> <b>HARDY SPICER DRG. No. 55/1014 ...</b>	DTO1/25, 1/55	8	
9/15/63620	Z7/30765		Bolt, Special, $\frac{5}{8}$ " B.S.F. x 1", Drilled ... ..	DTO1/12, 1/14, 1/16, 1/17, 1/22, 1/21, 1/25, 1/27, 1/31, 1/33, 1/34, 1/40, 1/51, 1/55, 1/56	8	
	86-33		Nut, Slotted, $\frac{5}{16}$ " B.S.F. ... ..	"	8	
	134-3		Washer, Plain, $\frac{5}{16}$ " ... ..	"	8	Quantity Doubled on
	100-7		Split Pin, $\frac{5}{64}$ " x $\frac{3}{4}$ " ... ..	"	8	DTO1/22, 1/34, 1/51, 1/55
<p><b>NOTE:—In addition to the above DTO Nos., the Items listed in this Section are also used on 6 Power Cars to DTO 1/23</b></p>						

railcar.co.uk

B.R. Cat. No.	A.E.C. Basic Part No.	Plate Ref.	Designation	Used on	No. Req. per Radiator	Remarks
			<b>WATER COOLING SYSTEM—Continued</b>			
9/15/63633	Z51774		Jaw End ... ..	DTOI/12, 1/24, 1/44, 1/52	1	
9/15/32113	A88026		<b>Bush, Silent Bloc, Special</b> ... ..	"	1	} Jaw End
9/15/63634	Z17/30702		Bolt, Special, $\frac{7}{16}$ " B.S.F. $\times 2\frac{5}{8}$ ", Drilled ... ..	"	1	
	86-35		Nut, Slotted, $\frac{7}{16}$ " B.S.F. ... ..	"	1	
	100-9		Split Pin, $\frac{3}{32}$ " $\times 1\frac{1}{4}$ " ... ..	"	1	
9/15/63568	N11744		<b>Rubber Pad</b> ... ..	"	4	} Radiator Mounting
9/15/63569	Z8/44803		Distance Tube ... ..	"	2	
9/15/63636	Z7/30767		Bolt, Special, $\frac{1}{2}$ " B.S.F., $2\frac{7}{8}$ ", Drilled ... ..	"	2	
	86-36		Nut, Slotted, $\frac{1}{2}$ " B.S.F. ... ..	"	2	
	134-6		Washer, Plain, $\frac{1}{2}$ " ... ..	"	2	
9/15/63619	Z6/30635		Washer, Special ... ..	"	2	
	100-9		Split Pin, $\frac{3}{32}$ " $\times 1\frac{1}{4}$ " ... ..	"	2	
9/15/63643	Z2407		<b>TIE ROD JAW END COMPLETE</b> ... ..	"	1	
9/15/63633	Z51774		Jaw End ... ..	"	1	
9/15/32199	Z2402		<b>EYE BOLT COMPLETE...</b> ... ..	"	1	
9/15/63645	Z51770		Eye Bolt ... ..	"	1	
9/15/32113	A88026		<b>Bush, Silent Bloc...</b> ... ..	"	1	
	90-38		Locknut, $\frac{3}{4}$ " B.S.F. ... ..	"	2	
9/15/63634	Z17/30702		Bolt, Special, $\frac{7}{16}$ " B.S.F. $\times 2\frac{5}{8}$ ", Drilled ... ..	"	1	
	86-35		Nut, Slotted, $\frac{7}{16}$ " B.S.F. ... ..	"	1	
	100-9		Split Pin, $\frac{3}{32}$ " $\times 1\frac{1}{4}$ " ... ..	"	1	
9/15/63649	V1/37250		Pipe, Filler ... ..	DTOI/12, 1/24	1	} Filler Pipe
9/15/63651	V1/37251		Flange ... ..	"	1	
9/15/63652	V1/37252		Stiffener ... ..	"	1	
9/15/63654	Z44114		<b>Joint</b> ... ..	"	1	
9/15/64230	124-155		Stud, $\frac{3}{8}$ " B.S.F. $\times 1\frac{1}{2}$ ", Special ... ..	"	4	
	85-34		Nut, Plain, $\frac{3}{8}$ " B.S.F. ... ..	"	4	
	135-4		Washer, Thackray, $\frac{3}{8}$ " ... ..	"	4	
9/15/63657	V1/37236		Flange ... ..	"	1	} Float Switch Baffle
9/15/63658	V1/37241		Stiffener ... ..	"	1	
9/15/63593	Z44989		<b>Joint</b> ... ..	"	1	
9/15/63660	124-215		Stud, $\frac{1}{2}$ " B.S.F. $\times 2$ ", Special ... ..	"	4	} Float Switch Baffle
	85-36		Nut, Plain, $\frac{1}{2}$ " B.S.F. ... ..	"	4	
	135-6		Washer, Thackray, $\frac{1}{2}$ " ... ..	"	4	
9/15/63680	N19512		Ferrule ... ..	"	1	} Water Pipe Seating
9/15/63661	N11016		Seating, Water Pipe ... ..	"	2	
9/15/63663	V1/37253		Flange ... ..	"	2	
9/15/63596	Z44977		<b>Joint</b> ... ..	"	2	
9/15/63597	124-153		Stud, $\frac{3}{8}$ " B.S.F. $\times 1\frac{1}{4}$ ", Special ... ..	"	4	
	85-34		Nut, Plain, $\frac{3}{8}$ " B.S.F. ... ..	"	4	
	135-34		Washer, Grover, $\frac{3}{8}$ " ... ..	"	4	