

# SPARE PARTS LIST



## RECTIFIERS

TYPE RUG.. (GERMANIUM)

TYPE RUS.. (SELENIUM)

RAILCAR.CO.UK



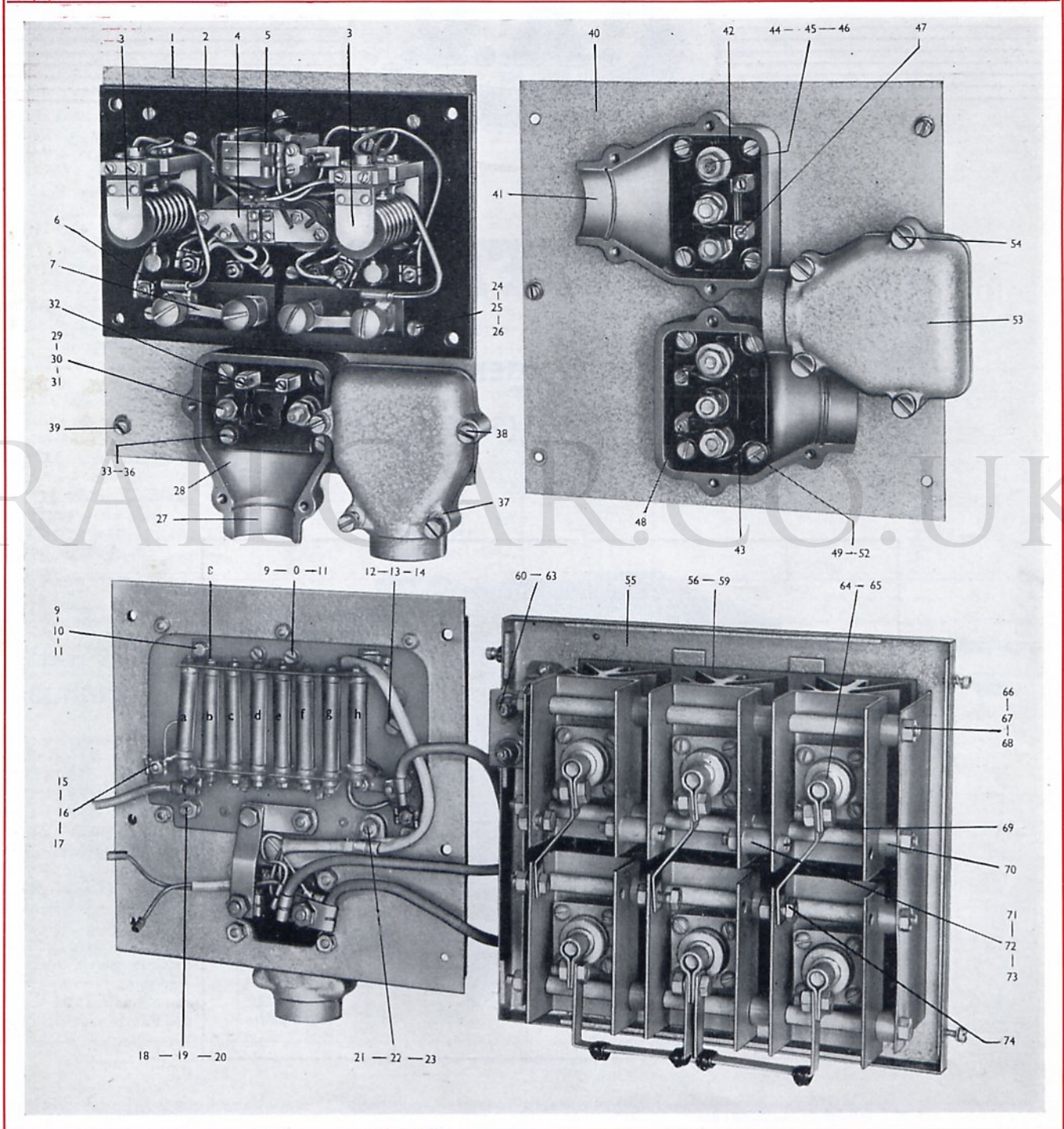
TYPE RUG-2

C.A.V. LIMITED LONDON W.3 ENGLAND

PUBLICATION No. 4191 PRICE 1/-

# C.A.V. SPARE PARTS

## RUG . . GERMANIUM RECTIFIER PARTS



# C.A.V. SPARE PARTS

RUG.. GERMANIUM RECTIFIER PARTS	MODELS — PART AND ILLUSTRATION NUMBERS											
	RUG-1 1804010		RUG-2 1804020		RUG-3 1804030		RUG-4 1804040		RUG-9 1804090		RUG-10 1804100	
<b>FRONT PANEL PARTS</b>												
PANEL ... ..	5978-4	1	§		5978-49	1	5978-73A	1	5978-4	1	5978-4	1
REGULATOR BASE ASSEMBLY	5978-42	2	§	5978-42A	2	—	—	—	5978-42B	2	5978-42C	2
Regulator, current ... ..	BRK-19	3	§		—	—	—	—	BRK-22	3	BRK-19	3
Regulator, voltage ... ..	N29	4	§	N30	4	—	—	—	N30	4	N29	4
Relay ... ..	DR24-7	5	§		—	—	—	—				
Nut, fuse post ... ..	5330-25I	6	§		—	—	—	—				
Fuse, strip ... ..	5580-1D	7	§		—	—	—	—	5880-1M	7	5580-1D	7
Resistance, Assy (see below)	5978-40	8	§		—	—	—	—	5978-40A	8	5978-40A	8
Screw, fixing (4, 5 & 8) ...	NS37-10ZI	9	§		—	—	—	—				
Washer, plain, for (9) ...	NW1-10ZI	10	§		—	—	—	—				
Washer, spring, for (9) ...	5244-22	11	§		—	—	—	—				
Screw, fixing, for (3) ...	NS19-14ZI	12	§		—	—	—	—				
Washer, plain, for (12) ...	NW1-15ZI	13	§		—	—	—	—				
Washer, spring, for (12) ...	5293-57	14	§		—	—	—	—				
Nut, regulator terminal ...	NU2-3TI	15	§		—	—	—	—				
Washer, plain, for (15) ...	NW3-19TI	16	§		—	—	—	—				
Washer, spring, for (15) ...	5244-22	17	§		—	—	—	—				
Nut, fuse terminal ... ..	NU4-2TI	18	§		—	—	—	—				
Washer, plain, for (18) ...	NW3-29TI	19	§		—	—	—	—				
Washer, spring, for (18) ...	5001-10	20	§		—	—	—	—				
Nut, main terminal ... ..	NU8-2TI	21	§		—	—	—	—				
Washer, plain, for (21) ...	NW3-29TI	22	§		—	—	—	—				
Washer, spring, for (21) ...	5293-57	23	§		—	—	—	—				
SCREW, fixing base (2) ...	NS37-14ZI	24	§		—	—	—	—				
WASHER, spring, for (24 & 39)	5244-22	25	§		—	—	—	—				
NUT, for (24) ... ..	NU1-4ZI	26	§		—	—	—	—				
HOUSING, terminal, bottom	5978-19	27	§		—	—	—	—				
TERMINAL BASE ASSY. ...	5978-32A	28	§		—	—	—	—				
Nut, terminal ... ..	5330-262A	29	§		—	—	—	—				
Washer, plain, for (29) ...	NW1-20ZI	30	§		—	—	—	—				
Washer, spring, for (29) ...	5001-31	31	§		—	—	—	—				
Screw, small terminal ...	5335-91C	32	§		—	—	—	—				
SCREW, fixing (28) ... ..	5335-630A	33	§		—	—	—	—				
WASHER, plain, for (33) ...	NW1-14ZI	34	§		—	—	—	—				
WASHER, spring, for (33 & 38)	5001-10	35	§		—	—	—	—				
NUT, for (33) ... ..	5330-261	36	§		—	—	—	—				
HOUSING, terminal, top ...	5886-139A	37	§		—	—	—	—				
SCREW, fixing (37) ... ..	5335-630C	38	§		—	—	—	—				
SCREW, fixing panels ... ..	NS37-14ZI	39	§		NS37-5Z1	39	NS37-5Z1	39	NS37-14Z1	39	NS37-14Z1	39

*continued—*

## RESISTANCE ASSEMBLIES — 5978-40 & 40A — SEPARATE PARTS

DESCRIPTION	PART No. & ILLUS.	DESCRIPTION	PART No. & ILLUS.
RESISTOR, 100 ohms ... ..	5576-137N A & H	NUT, for studs ... ..	NU2-7TI —
RESISTOR, 120 ohms ... ..	5576-137B B to G	WASHER, plain, for studs ... ..	NW1-3Z1 —
STUD, resistor (A & H) ... ..	5822-123C —	WASHER, spring, for studs ... ..	5293-39 —
STUD, resistor (B to G) ... ..	5822-123E —	BUSH, insulating studs ... ..	5518-39 —
CONNECTOR, strip, long ... ..	5978-39 —	BRACKET, top ... ..	5978-46 —
CONNECTOR, strip, short ... ..	5978-45 —	BRACKET, bottom ... ..	5978-46A —

§ This denotes the same part number as column 1.



# C.A.V. SPARE PARTS

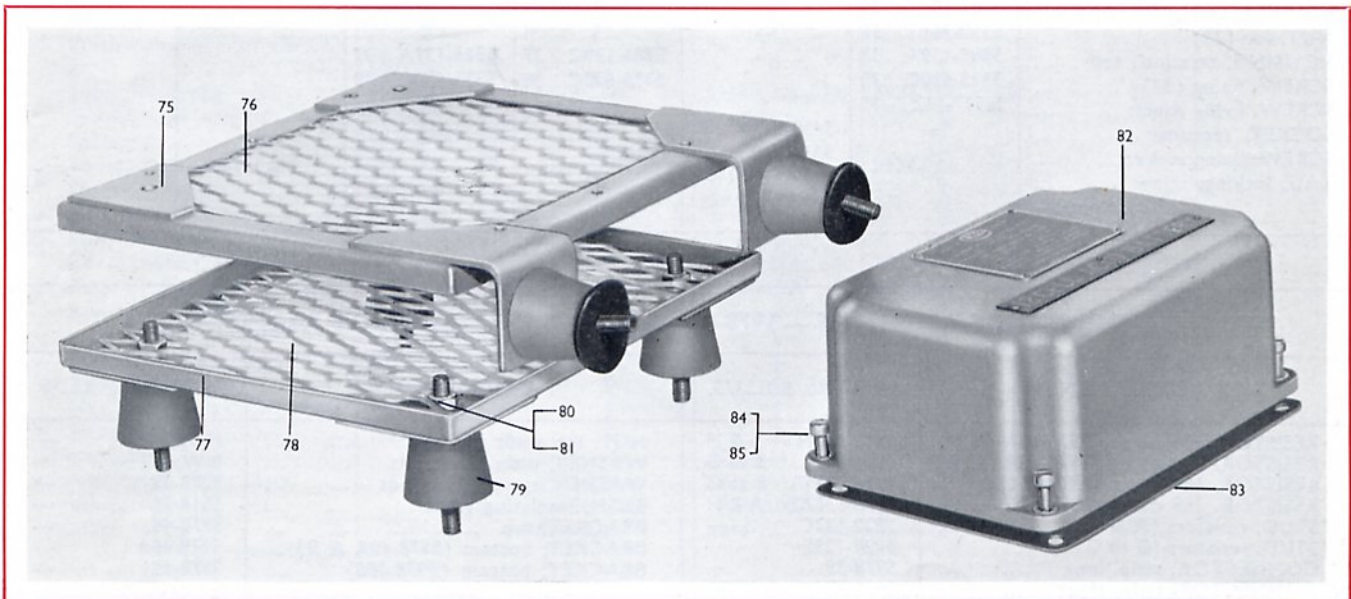
RUG . . GERMANIUM  RECTIFIER PARTS <i>—continued</i>	MODELS — PART AND ILLUSTRATION NUMBERS					
	RUG-1 1804010	RUG-2 1804020	RUG-3 1804030	RUG-4 1804040	RUG-9 1804090	RUG-10 1804100
<b>BACK PANEL PARTS</b>						
<b>TERMINAL PANEL ASSEMBLY</b>						
Panel ... ..	5978-3	40	§	5978-68	—	—
Housing, terminal, bottom ...	5978-19	41	§	5978-54	40	5978-3
Terminal base, complete ...	5978-32	42	§	5978-54A	40	40
Terminal base, complete (R.H.)	—	—	—	5978-32B	42	5978-32D
Nut, terminal, for (42 & 43)	5330-262A	44	§	5978-32B	42	42
Washer, plain, for (44) ...	NW1-20Z1	45	§	5978-32C	43	—
Washer, spring, for (44) ...	5001-31	46	§	5978-32C	43	—
Screw, terminal ... ..	5335-91C	47	§	—	—	—
Screw, terminal, for (43) ...	—	—	—	5335-91	48	—
Screw, fixing (42 & 43) ...	5335-630A	49	§	5335-91	48	—
Washer, plain, for (49) ...	NW1-14Z1	50	§	—	—	—
Washer, spring, for (49 & 54)	5001-10	51	§	—	—	—
Nut, for (49) ... ..	5330-261	52	§	—	—	—
Housing, terminal, top ...	5886-139A	53	§	—	—	—
Screw, fixing (53) ... ..	5335-630C	54	§	5334-223	54	5335-630C
Westalite Rectifier ... ..	—	—	—	5334-223	54	54
Nut, rectifier ... ..	—	—	—	5978-70	—	—
Washer, plain, rectifier ...	—	—	—	5978-70	—	—
Washer, spring, rectifier ...	—	—	—	NUI-4Z1	—	—
	—	—	—	NUI-4Z1	—	—
	—	—	—	NW1-10Z1	—	—
	—	—	—	NW1-10Z1	—	—
	—	—	—	5244-22	—	—
	—	—	—	5244-22	—	—
<b>SIDE PANEL PARTS</b>						
SIDE PANEL ASSEMBLY, R.H.	5978-22	—	§	5978-64	—	5978-137A
SIDE PANEL ASSEMBLY, L.H.	5978-22A	—	§	5978-65	—	5978-137
Panel, R.H. ... ..	5978-21	55	§	5978-65A	—	5978-137
Panel, L.H. ... ..	5978-21A	55	§	5978-78A	55	5978-138A
Base, insulator, outer ...	5978-8	56	§	5978-78	55	5978-138
Base, insulator, inner ...	—	—	—	5978-78	55	55
Screw, fixing (56) ... ..	NS37-5Z1	57	§	5978-55	56	5978-105
Washer, plain, for (57, 65)	NW1-10Z1	58	§	5978-55A	56	56
Washer, spring, for (57, 65)	5244-22	59	§	5978-55A	56	—
Condenser, R.H. Panel ...	5978-71	60	§	—	—	—
Screw, fixing (60) ... ..	NS34-3Z1	61	§	—	—	—
Nut, for (61) ... ..	NUI-7	62	§	—	—	—
Washer, spring, for (61) ...	5293-57	63	§	—	—	—
Rectifier, cell and fin ...	5978-7	64	§	5978-7A	64	5978-104
Screw, fixing (64) ... ..	NS37-14Z1	65	§	5978-7A	64	64
Rod, tie ... ..	5978-10	66	§	—	—	5978-10A
Nut, tie rod ... ..	5330-261	67	§	—	—	66
Washer, spring, for (67, 73 & 74) ... ..	5001-10	68	§	—	—	§
Tube, insulating ... ..	5978-11	69	§	—	—	§
Spacer, large ... ..	5978-12	70	§	—	—	5978-11A
Spacer, small ... ..	5978-12A	70	§	—	—	69
Screw, connecting (64) ...	5334-223	71	§	—	—	§
Spacer, for (71) ... ..	5078-13	78	§	—	—	§
Nut, for (71 & 74) ... ..	5330-261	73	§	—	—	§
Screw, terminal ... ..	5334-286	74	§	—	—	§
Cover, switch, L.H. Panel ...	—	—	—	—	—	5978-127
Gasket, cover, L.H. Panel ...	—	—	—	—	—	—
Switch, L.H. Panel ... ..	—	—	—	—	—	5978-129
Lamp, pilot, L.H. Panel ...	—	—	—	—	—	5483-100A
Base, relay, L.H. Panel ...	—	—	—	—	—	5539-237R
	—	—	—	—	—	5978-122

§ This denotes the same part number as column 1.



# C.A.V. SPARE PARTS

RUG .. GERMANIUM RECTIFIER PARTS <i>—continued</i>	MODELS — PART AND ILLUSTRATION NUMBERS												
	RUG-1 1804010		RUG-2 1804020		RUG-3 1804030		RUG-4 1804040		RUG-9 1804090		RUG-10 1804100		
<b>SIDE PANEL PARTS—cont.</b>													
Relay, L. H. Panel ... ..	—		—		—		—		312-15		— 312-15		
Nut, fixing relay, L.H. Panel	—		—		—		—		NUI-4Z1		— NUI-4Z1		
Screw, cover ... ..	—		—		—		—		NS37-5Z1		— NS37-5Z1		
PLATE, baffle ... ..	—		—		—		—		5978-116		—		
SCREW, fixing baffle plate ...	—		—		—		—		5334-204A		—		
WASHER, plain ... ..	—		—		—		—		NW1-10Z1		—		
WASHER, spring ... ..	—		—		—		—		5244-22		—		
<b>COVER PARTS</b>													
COVER, top ... ..	5978-24	75	§	—	—	—	—	—	5978-114	75	5978-24	75	
GUARD, for top cover ... ..	5978-41	76	§	5978-56	76	5978-56	76	5978-109	76	5978-109	76	5978-41	76
COVER, bottom ... ..	5978-6	77	§	—	—	—	—	—	5978-115	77	5978-6	77	
GUARD, for bottom cover ...	5978-41A	78	§	—	—	—	—	—	5978-109A	78	5978-41A	78	
INSULATOR, vibro ... ..	5978-25	79	§	—	—	5978-77	79	5978-25	79	5978-25	79	5978-25	79
NUT, for (79) ... ..	NU3-3Z1	80	§	—	—	5330-261	80	NU3-3Z1	80	NU3-3Z1	80	NU3-3Z1	80
WASHER, spring, for (80) ...	5001-31	81	§	—	—	—	—	—	§	—	—	§	—
BRACKET, support ... ..	—	—	—	5978-69	—	5978-69	—	—	—	—	—	—	—
COVER, regulator ... ..	5978-27	82	§	—	—	—	—	—	§	—	—	§	—
GASKET, cover ... ..	5576-78	83	§	—	—	—	—	—	§	—	—	§	—
SCREW, cover ... ..	5335-592A	84	§	—	—	—	—	—	§	—	—	§	—
WASHER, spring, for (84) ...	5001-10	85	§	—	—	—	—	—	§	—	—	§	—
CLIP, seal ... ..	5648-99	—	§	—	—	—	—	—	§	—	—	§	—
SEAL, lead ... ..	5606-62	—	§	—	—	—	—	—	§	—	—	§	—
PLATE, corner ... ..	—	—	—	—	—	—	—	—	5978-161	—	—	—	—
BRACKET, corner ... ..	—	—	—	—	—	—	—	—	5978-162A	—	—	—	—
STRAP, mounting ... ..	—	—	—	—	—	—	—	—	5978-107	—	—	—	—
SCREW, bracket ... ..	—	—	—	—	—	—	—	—	NS37-14Z1	—	—	—	—
NUT, for bracket screw ...	—	—	—	—	—	—	—	—	NUI-4Z1	—	—	—	—



§ This denotes the same part number as column 1.



# C.A.V. SPARE PARTS

RUG.. GERMANIUM RECTIFIER PARTS	MODELS — PART AND ILLUSTRATION NUMBERS					
	RUG-11 1804110	RUG-12 1804120	RUG-13M 1804130	RUG-14 1804140		
<b>FRONT PANEL PARTS</b>						
PANEL ... ..	5978-4	1	5978-144	1	5978-4A	1
REGULATOR BASE ASSEMBLY	5978-42D	2	5978-146	2	5978-42E	2
Regulator, current ... ..	BRK-19	3	C56	3	BRK-23	3
Regulator, voltage ... ..	N30	4	N49	4	N43	4
Relay ... ..	DR24-7	5	DR24-7	5	DR32-8	5
Nut, fuse post ... ..	5330-251	6	5330-252A	6	5330-251	6
Fuse ... ..	5580-1D	7	5978-159	—	5580-1Q	7
Resistance, Assy (see below)	5978-40A	8	5978-156	8	5978-40B	8
Screw, fixing (4, 5 & 8) ...	NS37-10Z1	9	§	§	§	§
Washer, plain, for (9) ...	NW1-10Z1	10	§	§	§	§
Washer, spring, for (9) ...	5244-22	11	§	§	§	§
Screw, fixing, for (3) ...	NS19-14Z1	12	§	§	§	§
Washer, plain, for (12) ...	NW1-15Z1	13	§	§	§	§
Washer, spring, for (12) ...	5293-57	14	§	§	§	§
Nut, regulator terminal ...	NU2-3TI	15	5596-6F	15	NU2-3TI	15
Washer, plain, for (15) ...	NW3-19TI	16	NW1-10TI	16	NW3-19TI	16
Washer, spring, for (15) ...	5244-22	17	§	§	§	§
Nut, fuse terminal ... ..	NU4-2TI	18	5330-306	18	NU4-2TI	18
Washer, plain, for (18) ...	NW3-29TI	19	NW1-32Z1	19	NW3-29TI	19
Washer, spring, for (18) ...	5001-10	20	5001-49	20	5001-10	20
Nut, main terminal ... ..	NU8-2TI	21	—	—	§	§
Washer, plain, for (21) ...	NW3-29TI	22	—	—	§	§
Washer, spring, for (21) ...	5293-57	23	—	—	§	§
SCREW, fixing base (2) ...	NS37-14Z1	24	5330-630B	24	NS37-14Z1	24
WASHER, spring, for (24 & 39)	5244-22	25	5001-10	25	5244-22	25
NUT, for (24) ... ..	NU1-4Z1	26	5330-261	26	NU1-4Z1	26
HOUSING, terminal, bottom ...	5978-19	27	—	—	5978-19A	27
TERMINAL BASE ASSY. ...	5978-32A	28	—	—	§	§
Nut, terminal ... ..	5330-262A	29	—	—	§	§
Washer, plain, for (29) ...	NW1-20Z1	30	—	—	§	§
Washer, spring, for (29) ...	5001-31	31	—	—	§	§
Screw, small terminal ...	5335-91C	32	—	—	§	§
SCREW, fixing (28) ... ..	5335-630A	33	—	—	§	§
WASHER, plain, for (33) ...	NW1-14Z1	34	—	—	§	§
WASHER, spring, for (33 & 38)	5001-10	35	—	—	§	§
NUT, for (33) ... ..	5330-261	36	—	—	§	§
HOUSING, terminal, top ...	5886-139A	37	—	—	5886-139C	37
SCREW, fixing (37) ... ..	5335-630C	38	—	—	6336-630C	38
SCREW, fixing panels ... ..	NS37-14Z1	39	§	§	§	§
SOCKET, terminal ... ..	—	—	5459-317A	—	—	—
SCREW, fixing socket ... ..	—	—	5334-270	—	—	—
TAG, locking, screw ... ..	—	—	5459-222	—	—	—

*continued—*

## RESISTANCE ASSEMBLIES — 5978-40A & B, 5978-156 — SEPARATE PARTS

DESCRIPTION	PART No. & ILLUS.	DESCRIPTION	PART No. & ILLUS.
RESISTOR, 100 ohms (5978-40A & B)	5576-137N A & H	NUT, for studs ... ..	NU2-7TI —
RESISTOR, 120 ohms (5978-40A & B)	5576-137B B to G	WASHER, plain, for studs ... ..	NW1-3Z1 —
RESISTOR, 180 ohms (5978-156) ...	5576-137T B to G	WASHER, spring, for studs ... ..	5293-39 —
RESISTOR, 165 ohms (5978-156) ...	5576-137AP A & H	BUSH, insulating studs ... ..	5518-39 —
STUD, resistors (A & H) ... ..	5822-123C —	BRACKET, top ... ..	5978-46 —
STUD, resistors (B to G) ... ..	5822-123E —	BRACKET, bottom (5978-40A & B) ...	5978-46A —
CONNECTOR, strip, long ... ..	5978-39 —	BRACKET, bottom (5978-156) ...	5978-151 —
CONNECTOR, strip, short ... ..	5978-45 —		

§ This denotes the same part number as column 1.



# C.A.V. SPARE PARTS

RUG.. GERMANIUM RECTIFIER PARTS <i>—continued</i>	MODELS — PART AND ILLUSTRATION NUMBERS					
	RUG-11 1804110	RUG-12 1804120	RUG-13M 1804130	RUG-14 1804140		
<b>BACK PANEL PARTS</b>						
<b>TERMINAL PANEL ASSEMBLY</b>						
Panel ... ..	5978-3 40	5978-145 —	—	—	—	
Housing, terminal, bottom ...	5978-19 41	5978-143 40	5978-3A 40	5978-3 40	5978-19 41	
Terminal base, complete ...	5978-32D 42	—	5978-19A 41	5978-19 41	§	
Terminal base, complete (R.H.) ... ..	—	—	§	§	§	
Nut, terminal, for (42 & 43)	5330-262A 44	—	5978-32A 43	5978-32A 43	5330-262A 44	
Washer, plain, for (44) ...	NW1-20Z1 45	5330-306 —	5330-262A 44	5330-262A 44	NW1-20Z1 45	
Washer, spring, for (44) ...	5001-31 46	NW1-32Z1 —	NW1-20Z1 45	NW1-20Z1 45	5001-31 46	
Screw, terminal ... ..	5335-91C 47	5001-49 —	5001-31 46	5001-31 46	§	
Screw, fixing (42 & 43) ...	5335-630A 49	—	§	§	§	
Washer, plain, for (49) ...	NW1-14Z1 50	—	§	§	§	
Washer, spring, for (49 & 54)	5001-10 51	—	§	§	§	
Nut, for (49) ... ..	5330-261 52	—	§	§	§	
Housing, terminal, top ...	5886-139A 53	—	5586-139C	5586-139A	5335-630C	
Screw, fixing (53) ... ..	5335-630C 54	—	5335-630C	5335-630C	—	
Socket, cable ... ..	—	5459-317 —	—	—	—	
Screw, fixing socket ...	—	5334-264C —	—	—	—	
<b>SIDE PANEL PARTS</b>						
SIDE PANEL ASSEMBLY, R.H.	5978-137A —	5978-147 —	5978-112A —	5978-112 —	—	
SIDE PANEL ASSEMBLY, L.H.	5978-137 —	5978-148 —	5978-113A —	5978-113 —	—	
Panel, R.H. ... ..	5978-138A 55	5978-111 55	5978-111B 55	5978-111 55	5978-111 55	
Panel, L.H. ... ..	5978-138 55	5978-111D 55	5978-111C 55	5978-111A 55	5978-111A 55	
Base, insulator, outer ...	5978-8 56	5978-105 56	5978-105 56	5978-105 56	5978-105 56	
Screw, fixing (56) ... ..	NS37-5Z1 57	§	§	§	§	
Washer, plain, for (57, 65)	NW1-10Z1 58	§	§	§	§	
Washer, spring, for (57, 65)	5244-22 59	§	§	§	§	
Condenser, R.H. Panel ...	5978-71 60	§	§	§	§	
Screw, fixing (60) ... ..	NS34-3Z1 61	§	§	§	§	
Nut, for (61) ... ..	NUI-7 62	§	§	§	§	
Washer, spring, for (61) ...	5293-57 63	§	§	§	§	
Rectifier, cell and fin ...	5978-7 64	5978-104 64	5978-104 64	5978-104 64	5978-104 64	
Screw, fixing (64) ... ..	NS37-10Z1 65	§	§	§	§	
Rod, tie ... ..	5978-10 66	5978-10A 66	5978-10A 66	5978-10A 66	5978-10A 66	
Nut, tie rod ... ..	5330-261 67	§	§	§	§	
Washer, spring, for (67, 73, 74) ... ..	5001-10 68	§	§	§	§	
Tube, insulating ... ..	5978-11 69	5978-11A 69	5978-11A 69	5978-11A 69	5978-11A 69	
Spacer, large ... ..	5978-12 70	§	§	§	§	
Spacer, small ... ..	5978-12A 70	§	§	§	§	
Screw, connecting (64) ...	5334-223 71	5334-223C	5334-233	5334-233	5334-233	
Spacer, for (71) ... ..	5978-13 72	§	§	§	§	
Nut, for (71 & 74) ... ..	5330-261 73	§	§	§	§	
Screw, terminal ... ..	5334-286 74	§	§	§	§	
Cover, switch, L.H. Panel ...	5978-127 —	§	5978-127A —	5978-127A —	—	
Gasket, cover, L.H. Panel ...	5978-129 —	§	5978-129A —	5978-129 —	—	
Switch, L.H. Panel ... ..	5483-100A —	§	§	§	§	
Lamp, pilot, L.H. Panel ...	5533-237R —	§	§	§	§	
Base, relay, L.H. Panel ...	5978-122 —	§	§	§	§	
Relay, L.H. Panel ... ..	312-15 —	§	§	§	§	
Nut, fixing relay, L.H. Panel	NUI-4Z1 —	§	§	§	§	
Screw, cover ... ..	NS37-5Z1 —	§	§	§	§	
Plate, baffle ... ..	—	5978-116 —	5978-116 —	5978-116 —	—	
Screw, fixing, baffle plate ...	—	5334-204A —	5334-204A —	5334-204A —	—	
Washer, plain ... ..	—	NW1-10Z1 —	NW1-10Z1 —	NW1-10Z1 —	—	
Washer, spring ... ..	—	5244-22 —	5244-22 —	5244-22 —	—	

*continued—*

§ This denotes the same part number as column 1.





RUG.. GERMANIUM RECTIFIER PARTS <i>—continued</i>	MODELS — PART AND ILLUSTRATION NUMBERS							
	RUG-11 1804110		RUG-12 1804120		RUG-13M 1804130		RUG-14 1804140	
<b>COVER PARTS</b>								
COVER, top ... ..	5978-24	75	5978-114	75	5978-114A	75	5978-114	75
GUARD, top cover ... ..	5978-41	76	5978-109	76	5978-109	76	5978-109	76
COVER, bottom ... ..	5978-6	77	5978-115	77	5978-115A	77	5978-115	77
GUARD, bottom cover ... ..	5978-41A	78	5978-109A	78	5978-109A	78	5978-109A	78
INSULATOR, vibro ... ..	5978-25	79	§		§		§	
NUT, for (79) ... ..	NU3-3Z1	80	§		§		§	
WASHER, spring, for (80) ... ..	5001-31	81	§		§		§	
COVER, regulator ... ..	5978-27	82	§		5978-27A	82	5978-27	82
GASKET, cover ... ..	5576-78	83	§		5576-78B	83	5576-78	83
SCREW, cover ... ..	5335-592A	84	§		§		§	
WASHER, spring, for (84) ... ..	5001-10	85	§		§		§	
CLIP, seal ... ..	5648-99	—	—		§		§	
SEAL, lead ... ..	5606-62	—	—		§		§	
PLATE, corner ... ..	—		5978-161	—	5978-161	—	5978-161	—
BRACKET, corner ... ..	—		5978-162-A	—	5978-162-A	—	5978-162-A	—
STRAP, mounting ... ..	—		5978-107	—	5978-107	—	5978-107	—
SCREW, bracket ... ..	—		NS37-14Z1	—	NS37-14Z1	—	NS37-14Z1	—
NUT, for screw ... ..	—		NUI-4Z1	—	NUI-4Z1	—	NUI-4Z1	—
COVER, terminal, back ... ..	—		6018-27	—	—		—	
GLAND, cable ... ..	—		6018-30	—	—		—	
PLATE, clamp, gland ... ..	—		6018-29	—	—		—	
SCREW, clamp plate ... ..	—		5334-264D	—	—		—	
WASHER, lock ... ..	—		5339-875F	—	—		—	
COVER, terminal, front ... ..	—		6018-27A	—	—		—	
GLAND, cable ... ..	—		6018-30A	—	—		—	
PLATE, clamp, gland ... ..	—		6018-29A	—	—		—	
SCREW, clamp plate ... ..	—		5334-220	—	—		—	
WASHER, lock ... ..	—		5339-875E	—	—		—	
BUSH, cable gland ... ..	—		6018-31	—	—		—	

RUS.. SELENIUM RECTIFIER PARTS	MODELS & PART Nos.			RUS.. SELENIUM RECTIFIER PARTS <i>—continued</i>	MODELS & PART Nos.		
	RUS-1 1804510	RUS-2	RUS-3 1804530		RUS-1 1804510	RUS-2	RUS-3 1804530
SIDE PLATE, complete, L.H.	6016-22	6016-22B	—	NUT, large, outer terminals	NU3-3T1	5330-262A	—
SIDE PLATE, complete, R.H.	6016-22A	6016-22C	—	WASHER, spring, for nut ...	5001-31	§	—
END PLATE, back ... ..	6016-5	§	—	NUT, for small terminals ...	—	NUI-4T1	—
END PLATE, front ... ..	6016-4	6016-4A	—	WESTALITE RECTIFIER ...	—	5978-70	—
SCREW, fixing plates ... ..	NS37-14Z1	§	NS37-10Z1	BRACKET, for rectifier ...	—	6016-27	—
WASHER, spring, for screw	5244-22	§	§	BUSH, rubber, for leads ...	—	5603-236	—
RECTIFIER UNIT, complete	6016-20	6016-32	6016-35	GUARD, for cover ... ..	6016-21	6016-31	—
NUT, fixing rectifier ... ..	NU5-4Z1	§	NUI-4Z1	STRAP, for guard ... ..	6016-16	§	—
WASHER, spring, for nut ...	5001-26	§	—	COVER, terminal end ... ..	6016-6	§	—
WASHER, plain, for nut ...	NW1-27Z1	§	NW1-10Z1	SOCKET, cable, large ... ..	5459-25B	5459-25A	—
BLOCK, terminal ... ..	6016-7	6016-7A	—	SOCKET, cable, small ... ..	—	5459-23B	5459-23B
SCREW, fixing term. block	NS37-14Z1	§	—	STRAP, mounting, complete	6016-11	§	—
NUT, rectifier terminals ...	NU3-IT1	5330-283	—	BRACKET, support, side ...	6016-30	§	—
WASHER, spring, for nut ...	5001-10	§	—	SCREW, for bracket ... ..	NS37-1Z1	§	—
WASHER, plain, for nut ...	NW1-14Z1	§	—	WASHER, spring, for screw	5244-22	§	—

§ This denotes the same part number as column 1.